

**Product:** KLUDI E2 concealed THM bath/shower mixer, trim set with functional unit

**Ref.:** 498300575

**Product description**

concealed thermostatic bath/shower mixer  
trim set with functional unit  
with ceramic shut-off valve  
and adjustment as a rotary valve  
hot water safety device 38 °C  
without pre-installation set  
KLUDI FLEXX.BOXX 88011

Finishes:  
05 chrome

**Product picture**

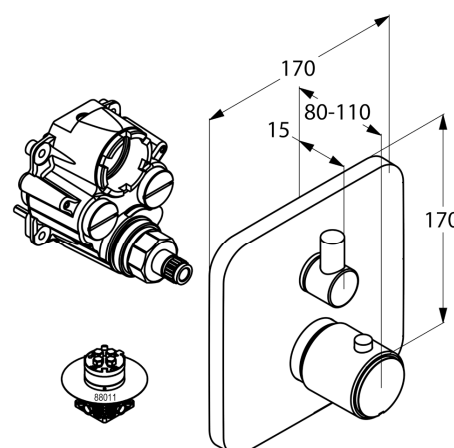


**Advertisement**

concealed thermostatic bath/shower mixer, manufacturer KLUDI GmbH & Co. KG  
KLUDI E2 item no. 498300575

type: concealed thermostatic bath/shower mixer trim set with functional unit THM for pre-installation set KLUDI FLEXX.BOXX DN 20 item no. 88011, handles chrome plated metal, cover plate chrome plated plastic, with ceramic shut-off valve and adjustment as a rotary valve, temperature control handle with hot water safety device 38°C, flow rate to bath filler 20 l/min at 3 bar, flow rate to shower 20 l/min at 3 bar, functional unit made of dezincification resistant brass, dimensions: cover plate: 170/170 mm, handle projection: 80-110 mm Suitable for pre-installation set KLUDI FLEXX.BOXX DN 20 item no. 88011, not included.

**Dimensional drawing**



**Flow rate diagram**

