

**Product:** KLUDI E2 wall spout DN 20

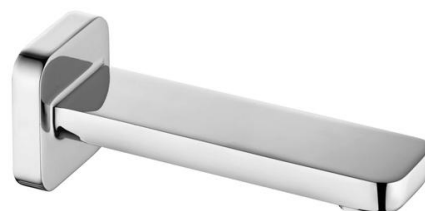
**Ref.:** 4950305

**Product description**

wall spout DN 20  
 wall fastening  
 aerator M 24 x 1  
 flow rate 25 l/min at 3 bar  
 connection 3/4 inch  
 projection 175 mm

Finishes:  
 05 chrome

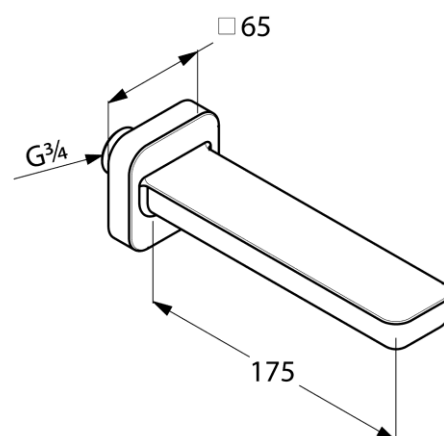
**Product picture**



**Advertisement**

wall spout, manufacturer KLUDI GmbH & Co. KG  
 KLUDI E2 item no. 4950305  
 type: wall spout DN 20 / PN 5, chrome plated brass, spout with aerator M 24 x 1,  
 flow rate 25 l/min at 3 bar, connection 3/4 inch  
 dimensions: nozzle projection 175 mm, cover area: 65 mm

**Dimensional drawing**



**Flow rate diagram**

