

Product: KLUDI E2 3 hole single lever bath and shower mixer DN 15

Ref.: 494470575

Product description

3 hole single lever bath and shower mixer DN 15
 three hole tiles deck installation, standing installation
 solid lever
 ceramic cartridge with hot water safety device
 aerator M 24 x 1
 flow rate bath tub 28 l/min at 3 bar
 flow rate shower 13,5 l/min at 3 bar
 automatic diverter: shower to bath tub
 protected against back flow
 with pull-out hand shower KLUDI A-QA 1 S
 shower hose 1/2 x 1/2 x 1500 mm
 without connecting supply hoses

Finishes:
 05 chrome

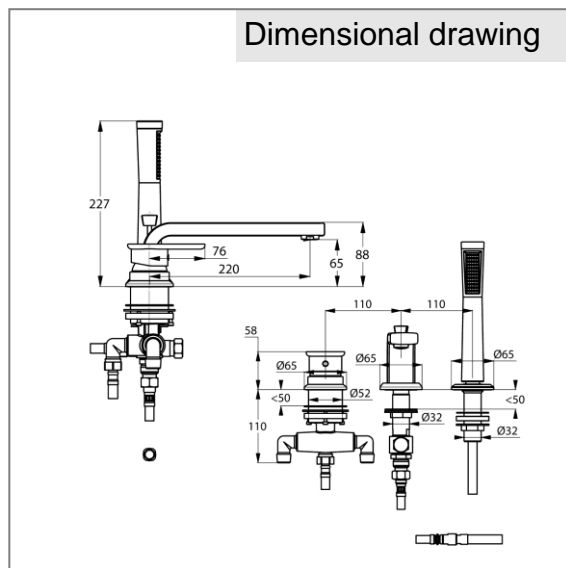
Advertisement

three hole tap, manufacturer KLUDI GmbH & Co. KG
 KLUDI E2 item no. 494470575
 type: 3 hole single lever bath and shower mixer, DN 15 / PN 10 for tiles deck installation and standing installation, chrome plated brass, solid lever chrome plated metal, ceramic cartridge K-41 with hot water safety device, bath tub filler with aerator M 24 x 1, flow rate at bath tub filler 28 l/min at 3 bar, flow rate at shower outlet 13,5 l/min at 3 bar, automatic diverter: shower to bath tub, protected against back flow DIN EN 1717, with pull-out KLUDI A-QA 1 S hand shower, chrome plated plastic, with cleaning system, fixed shuft for shower hose, shower hose 1/2 x 1/2 inch x 1500 mm plastic metal coated, shower hose connection 1/2 inch
 dimensions: hand shower height: 227 mm, nozzle height: 65 mm, nozzle projection: 220 mm
 connecting supply hoses KLUDI Art. Nr. 7544605-00
 required quantity 2 pieces, not included

Product picture



Dimensional drawing



Flow rate diagram

