

Product: **KLUDI E2 single lever basin mixer DN 15**

Ref.: **492980575**

Product description

single lever basin mixer DN 15
 single hole mounted
 solid lever
 ceramic cartridge
 aerator M 24 x 1
 flow rate 7,1 l/min at 3 bar
 flexible high pressure supply tubes 3/8 inch
 shank fixing

Finishes:
 05 chrome

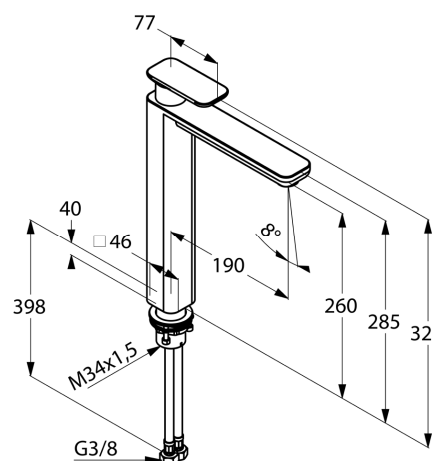
Product picture



Advertisement

single lever basin mixer, manufacturer KLUDI GmbH & Co. KG
 KLUDI E2 item no. 492980575
 type: single lever basin mixer height 321 mm, DN 15 / PN 10, chrome plated brass,
 solid lever chrome plated metal, ceramic cartridge K-28, aerator M 24 x 1, flow rate
 7,1 l/min at 3 bar, flexible high pressure supply tubes 3/8 inch with DVGW / W270
 approval, shank fixing
 dimensions: height: 321 mm, nozzle height: 260 mm, projection: 190 mm

Dimensional drawing



Flow rate diagram

