

Technical Data

KLUDI ZENTA SL
Concealed single lever shower mixer

Article- Nr.:
486550565

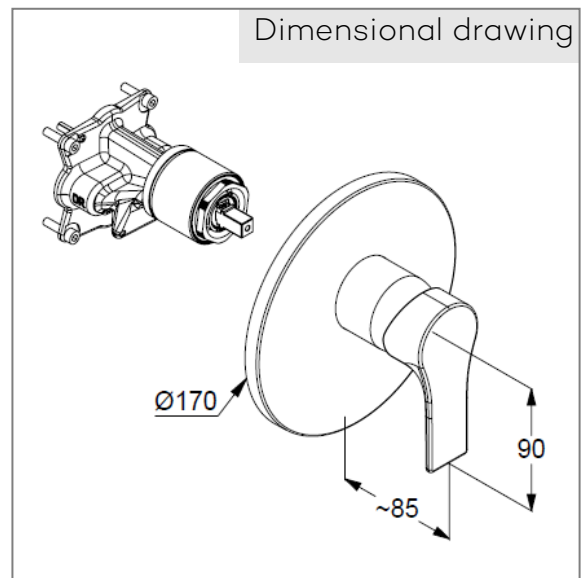
Surface:
05 chrome

manufacturer KLUDI GmbH & Co. KG
Typ: KLUDI ZENTA SL
Concealed single lever shower mixer,
PN 10
Art. Nr. 486550565
concealed shower mixer
single lever mixer
trim set without pre-installation set
pre installation set KLUDI FLEXX.BOXX Art. Nr. 88011
trim set with functional unit
wall mounted
solid lever, metal
ceramic cartridge with hotwater safety device
flow rate at 3 bar = 25 l/ min.

Product Picture



Dimensional drawing



Flow rate diagram

