

**Product:** KLUDI Tangenta single lever sink mixer DN 15 with pull-out spout

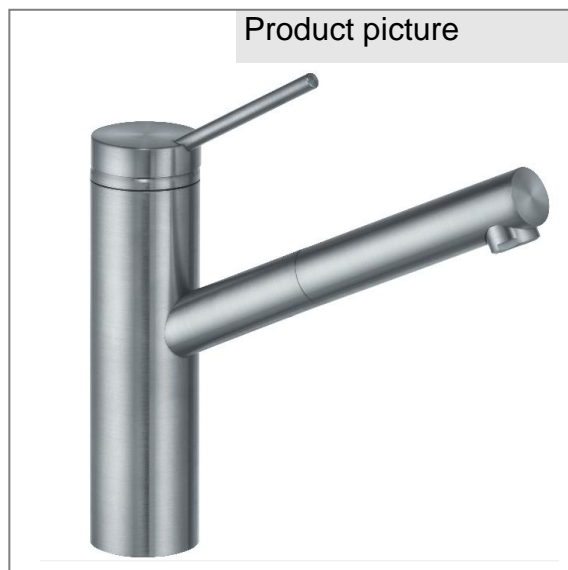
**Ref.:** 44991F875

**Product description**

single lever sink mixer DN 15 with pull-out-spout  
 single hole mounted  
 solid lever  
 ceramic cartridge with hot water safety device  
 aerator M 24 x 1  
 flow rate 7 l/min at 3 bar  
 swivelling spout (110°), pull-out spout  
 protected against back flow  
 flexible high pressure supply tubes G 3/8 inch  
 shank-fixing

Finishes:  
 F8 stainless steel hairline  
 finish

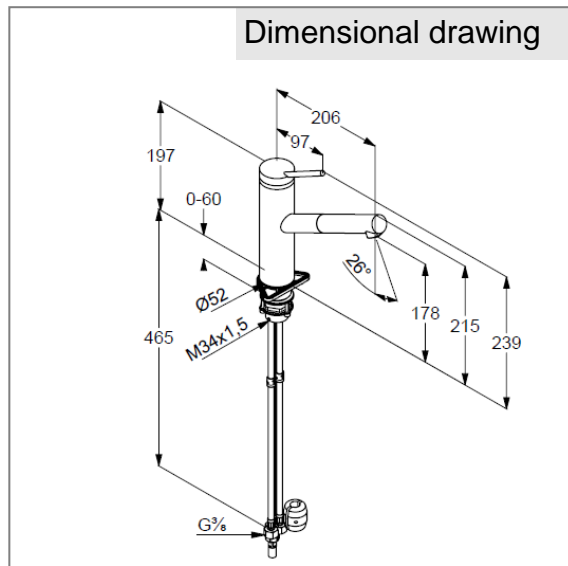
Product picture



**Advertisement**

single lever sink mixer, manufacturer KLUDI GmbH & Co. KG  
 KLUDI TANGENTA item no. 44991F875  
 type: single lever sink mixer DN 15 / PN 10 with swivel (range 110°) and pull out spout (max. 700 mm), made of stainless steel, in stainless steel hairline finish look, metal solid lever, ceramic cartridge K-35 with hot water safety device, aerator M 24 x 1, flow rate 7 l/min at 3 bar, with flexible high pressure supply tubes G 3/8 inch, with shower hose with metal body 15 x 1 x 1500 mm and counterweight with W270/KTW approval, protected against back flow EN 1717, shank fixing, dimensions: height: 239 mm, nozzle height: 178 mm, projection: 206 mm, lever projection: 97 mm

Dimensional drawing



Flow rate diagram

