

Product: KLUDI TANGENTA single lever sink mixer DN 15

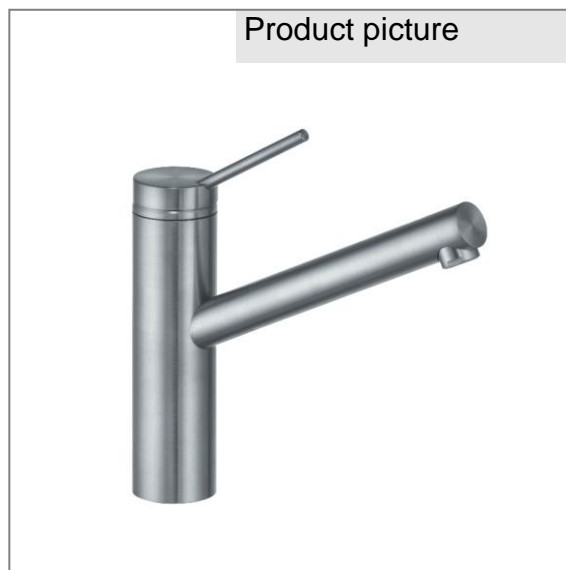
Ref.: 44904F875

Product description

single lever sink mixer DN 15
 single hole mounted
 solid lever
 ceramic cartridge with hot water safety device
 aerator M 24 x 1
 flow rate 9 l/min at 3 bar
 swivelling spout (360°)
 flexible high pressure supply tubes 3/8 inch
 shank-fixing

Finishes:
 F8 stainless steel hairline
 finish

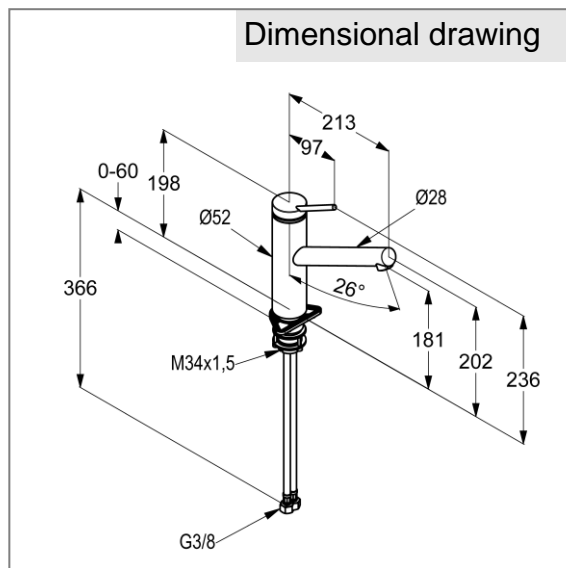
Product picture



Advertisement

single lever sink mixer, manufacturer KLUDI GmbH & Co. KG
 KLUDI TANGENTA item no. 44904F875
 type: single lever sink mixer, DN 15 / PN 10 with swivel spout (360°), made of Stainless steel, stainless steel hairline finish look, metal solid lever, ceramic cartridge K-35 with hot water safety device, aerator M 24 x 1, flow rate 9 l/min at 3 bar, flexible high pressure supply tubes 3/8 inch with DVGW / W270 approval, shank-fixing, dimensions: height: 236 mm, nozzle height: 181 mm, projection: 213 mm, lever projection: 97 mm

Dimensional drawing



Flow rate diagram

