

Product: KLUDI BINGO STAR single lever sink mixer bayonette DN 10

Ref.: 42857..78

Product description

single lever sink mixer bayonette DN 10
 solid lever
 single hole mounted
 flow class Z
 PCA Cache aerator M 16,5 x l
 ceramic cartridge with hot water safety device
 swivelling spout (360°)
 for installation below the window
 remaining height at the base: 25 mm
 shank-fixing
 flexible high pressure supply tubes G 3/8
 noise group I

Finishes:
 05 chrome
 96 stainless steel look

Advertisement

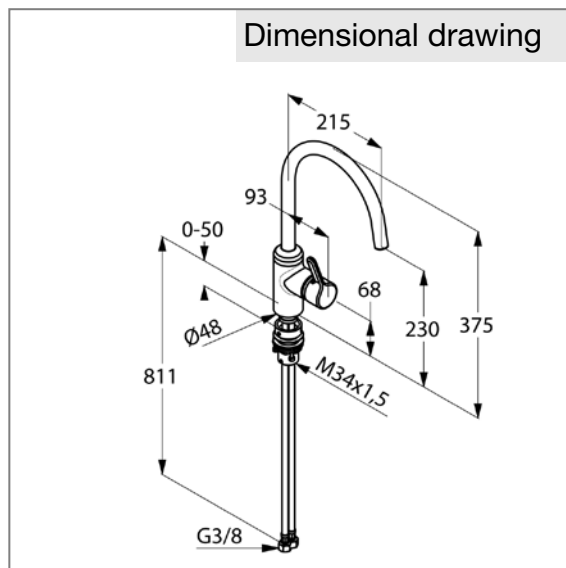
- * KLUDI GmbH & Co. KG KLUDI BINGO STAR single lever sink bayonette mixer item no. 42857..78
- ** ceramic cartridge with hot water safety device Ø 35 mm, DIN EN 817
- *** plated brass, DIN 50930-6

sink bayonette mixer, manufacturer KLUDI GmbH & Co. KG KLUDI BINGO STAR single lever sink mixer bayonette item no. 42857..78, DN 10, finishes: 05 = chrome / 96 = stainless steel look plated brass, type: sink bayonette mixer DN 10, swivel spout, solid lever, lever projection 93 mm, PCA Cache aerator M 16,5 x l, noise level DIN EN 4109 group I, without report no., flow class Z (max. 0,14 l/s), nozzle projection 215 mm, back nut fixing, flexible high pressure supply tubes 3/8 inch with metal body with DVGW / KIWA / WRAS / CSTB length 811 mm, nozzle height 230 mm, ceramic cartridge with hot water safety device Ø 35 mm, overall length 375 mm, for borehole diameter Ø 35 mm, for installation below the window, remaining height at the base: 25 mm, for pressure type water heater, for continuous line heater, PN 10,

Product picture



Dimensional drawing



Flow rate diagram

