

Technical Data

KLUDI BINGO STAR
Single lever basin mixer
DN 15

Ref.:
420230578

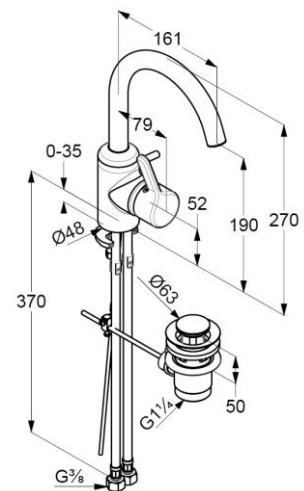
Finishes:
05 chrome

Product description
Manufacturer KLUDI GmbH & Co. KG
Typ: KLUDI BINGO STAR
Single lever basin mixer DN 15/ PN10
Ref.: 420230578
single lever mixer
single hole mounted
solid lever, metal
lateral actuation
aerator M16,5 PCA
ceramic cartridge with hotwater safety device
flow rate at 3 bar = 8 l/ min.
swivel spout
flexible hoses G 3/8 DVGW approved
rapid installation set
pop up waste 1 1/4" metal

Product picture



Dimensional drawing



Flow rate diagram

