

Product: KLUDI AMEO concealed THM shower mixer, trim set with functional unit

Ref.: 418350575

Product description

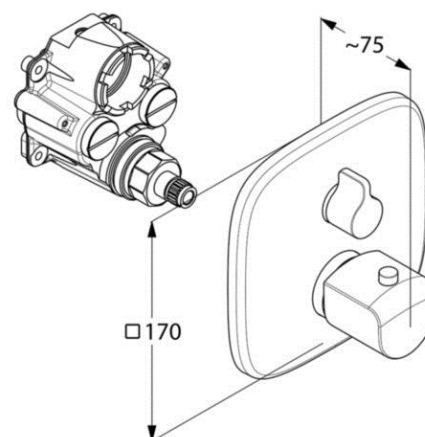
concealed thermostatic shower mixer trim set with functional unit with ceramic shut-off valve hot water safety device 38 °C without pre-installation set KLUDI FLEXX.BOXX 88011

Finishes:
05 chrome

Product picture



Dimensional drawing



Advertisement

concealed thermostatic shower mixer, manufacturer KLUDI GmbH & Co. KG KLUDI AMEO item no. 418350575
type: concealed thermostatic shower mixer trim set with functional unit THM for preinstallation set KLUDI FLEXX.BOXX DN 20 item no. 88011, handles chrome plated metal, cover plate chrome plated plastic, with ceramic shut-off valve, temperature control handle with hot water safety device 38°C, flow rate 20 l/min at 3 bar, functional unit made of brass, Suitable for pre-installation set KLUDI FLEXX.BOXX DN 20 item no. 88011, not included.

Flow rate diagram

