

Product: KLUDI AMEO concealed shower mixer

Ref.: 417180575

Product description

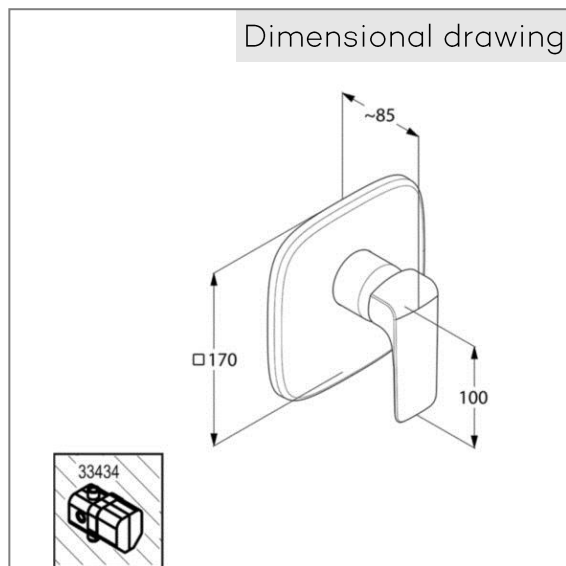
concealed shower mixer
 concealed trim set
 solid lever
 for concealed body 33434

Finishes:
 05 chrome

Product picture



Dimensional drawing



Advertisement

concealed shower mixer, manufacturer KLUDI GmbH & Co KG
 KLUDI AMEO concealed shower mixer item no. 417180575, type:
 concealed shower mixer trim set for pre- installation concealed
 bath/shower mixer for pre installation concealed bath/shower
 mixer DN 15 item no. 33434, finishes: 05 = chrome plated brass,
 solid lever, wall flange chrome plated plastic, for pre- installation
 concealed bath and shower mixer DN 15 item no. 33434,

Flow rate diagram

