

Product: KLUDI AMEO concealed shower mixer, trim set with functional unit

Ref.: 416550575

Product description

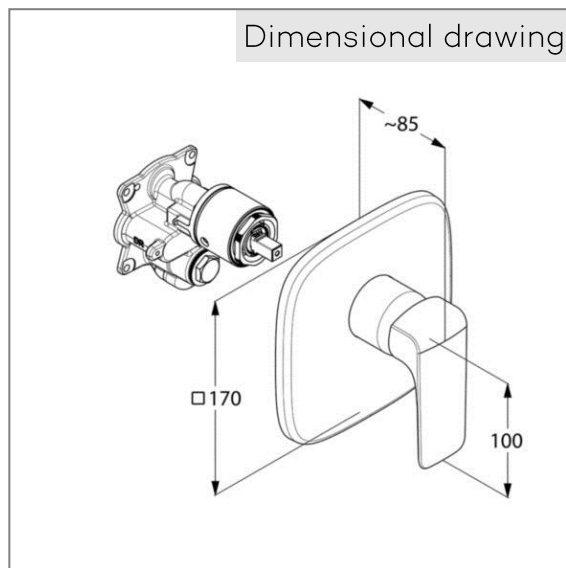
concealed shower mixer
 trim set with functional unit
 wall mounting
 solid lever
 ceramic cartridge with hot water safety device
 flow rate 25 l/min at 3 bar
 without pre-installation set
 KLUDI FLEXX.BOXX item no. 88011

Finishes:
 O5 chrome

Product picture



Dimensional drawing



Advertisement

concealed shower mixer valve, manufacturer KLUDI GmbH & Co. KG KLUDI AMEO item no. 416550575
 type: concealed shower mixer trim set with functional unit, solid lever chrome plated metal, cover plate chrome plated plastic, ceramic cartridge K-41 with hot water safety device, flow rate 25 l/min at 3 bar, functional unit made of brass, Suitable for pre-installation set KLUDI FLEXX.BOXX DN 20 item no. 88011, not included.

Flow rate diagram

