

Product: KLUDI AMEO concealed bath/shower mixer, trim

Ref.: 416500575

Product description

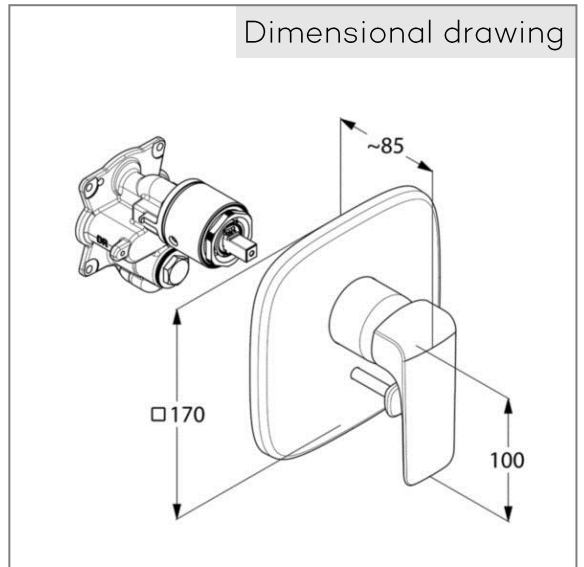
concealed bath and shower mixer trim set with functional unit
 wall mounting
 solid lever
 ceramic cartridge with hot water safety device
 flow rate to bath tub 31 l/min at 3 bar
 flow rate to shower 29 l/min at 3 bar
 automatic diverter: shower to bath tub without pre-installation set
 KLUDI FLEXX.BOXX item no. 88011

Finishes:
 05 chrome

Product picture



Dimensional drawing



Advertisement

concealed bath/shower mixer valve, manufacturer KLUDI GmbH & Co. KG
 KLUDI AMEO item no. 416500575
 type: concealed bath and shower mixer trim set with functional unit, solid lever chrome plated metal, cover plate chrome plated plastic, ceramic cartridge K-41 with hot water safety device, flow rate to bath tub filler 31 l/min at 3 bar, flow rate to shower outlet 29 l/min at 3 bar, automatic diverter: shower to bath tub, functional unit made of brass
 Suitable for pre-installation set KLUDI FLEXX.BOXX DN 20 item no. 88011, not included.

Flow rate diagram

