

Product: KLUDI AMEO wall spout DN 20

Ref.: 4150505

Product description

wall spout DN 20
 wall fastening
 S-Pointer aerator M 24 x 1
 flow rate 28 l/min at 3 bar
 with sliding cover plate
 connection 3/4 inch

Finishes:
 05 chrome

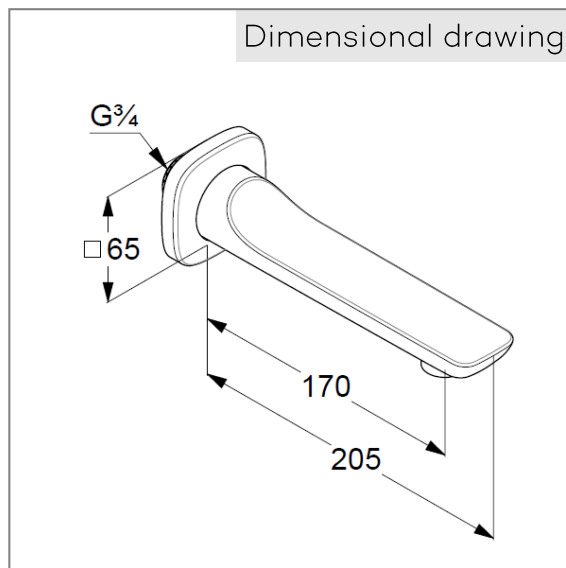
Product picture



Advertisement

wall spout, manufacturer KLUDI GmbH & Co KG
 KLUDI AMEO item no. 4150505
 type: wall spout DN 20 / PN 5, chrome plated brass, spout with
 aerator M 24 x 1, flow rate 28 l/min at 3 bar, sliding cover plate
 chrome plated, connection 3/4 inch

Dimensional drawing



Flow rate diagram

