

Product: KLUDI L-INE S single lever sink mixer DN 15

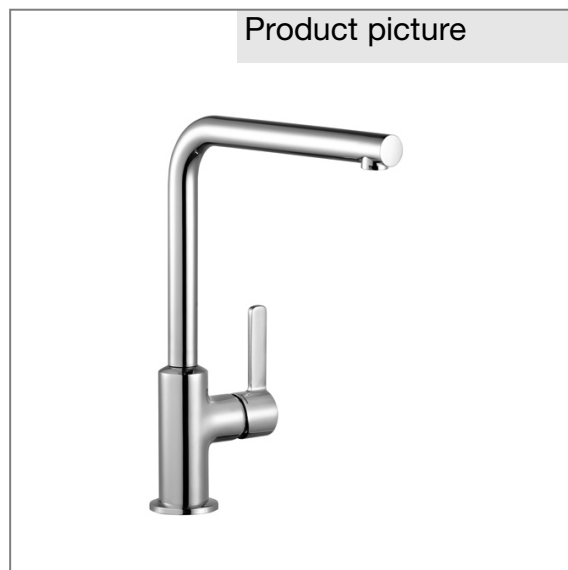
Ref.: 408030575

Product description

single lever sink mixer DN 15
 single hole mounted
 solid lever
 lateral actuation
 ceramic cartridge
 aerator M 18 x 1
 flow rate 7,1 l/min at 3 bar
 swivel spout (360°)
 flexible high pressure supply tubes 3/8 inch
 shank fixing

Finishes:
 05 chrome

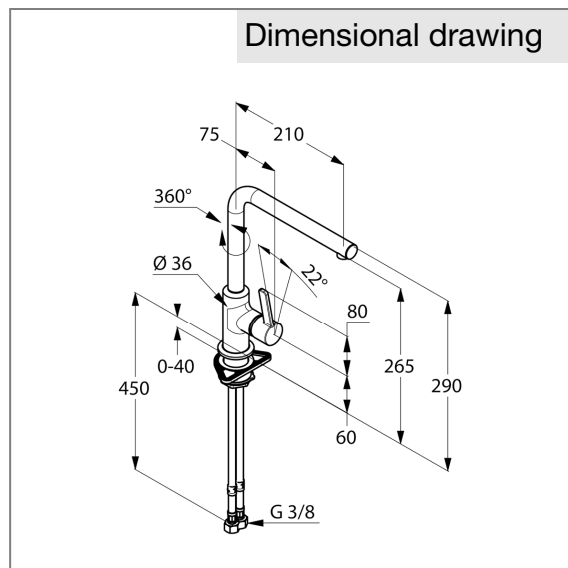
Product picture



Advertisement

single lever sink mixer, manufacturer KLUDI GmbH & Co. KG
 KLUDI L-INE S item no. 408030575
 type: single lever sink mixer, DN 15 / PN 10, with swivel spout (360°), chrome plated brass, solid lever chrome plated metal, with lateral actuation, ceramic cartridge K-25, aerator M 18 x 1, flow rate 7,1 l/min at 3 bar, flexible high pressure supply tubes 3/8 inch with DVGW / W270 approval, shank fixing
 dimensions: height: 290 mm, nozzle height: 265 mm, projection: 210 mm, lever projection: 80 mm

Dimensional drawing



Flow rate diagram

