

Product: KLUDI O-CEAN / KLUDI ZENTA concealed thermostatic bath/shower mixer, trim set with functional unit

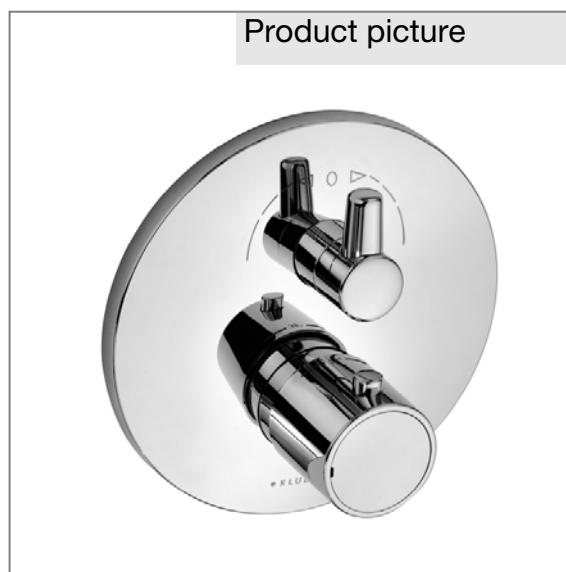
Ref.: 388300545

Product description

concealed thermostatic bath/shower mixer
 trim set with functional unit
 with ceramic shut-off valve
 and adjustment, as a rotary valve
 hot water safety device 38 °C
 without pre-installation set
 KLUDI FLEXX.BOXX 88011
 noise group II, P-IX 18444/IICC

Finishes:
 05 chrome

Product picture

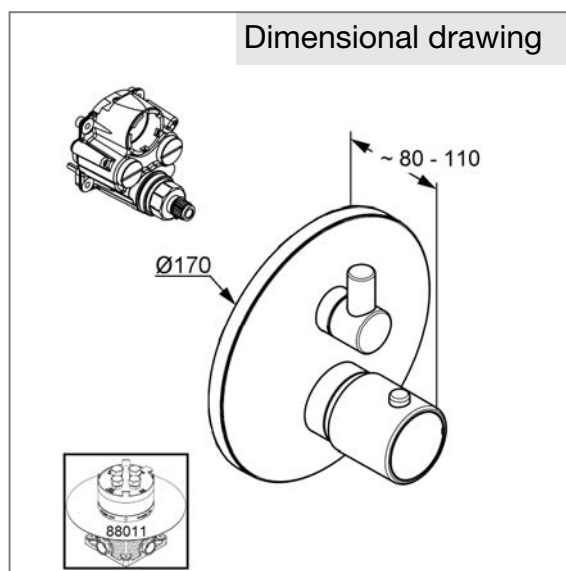


Advertisement

- * KLUDI GmbH & Co KG KLUDI O-CEAN / KLUDI ZENTA concealed thermostatic bath/shower mixer, trim set with functional unit item no. 388300545
- ** chrome plated plastic / brass
- *** trim set with concealed mixer THM for KLUDI FLEXX.BOXX DN 20 item no. 88011

concealed thermostatic bath/shower mixer, manufacturer KLUDI GmbH & Co KG type KLUDI O-CEAN / KLUDI ZENTA concealed bath/shower mixer with trim set item no. 388300545, trim set with functional unit THM for pre-installation set KLUDI FLEXX.BOXX DN 20 item no. 88011, with ceramic shut-off valve and adjustment as a rotary valve, cover plate chrome plated plastic, diameter cover plate 170 mm, temperature control handle with hot water safety device 38°C, handles chrome plated plastic / brass, without extension set item no. 7300600-00, without pre-installation set KLUDI FLEXX.BOXX item no. 88011, noise level DIN 4109 noise group II, P-IX 18444/IICC
 Optimal function only in combination with KLUDI products,

Dimensional drawing



Flow rate diagram

