

Product: KLUDI PUSH concealed with functional unit

Ref.: 388110538

Product description

Trim set with functional unit
 With pushbutton for control by two consumers
 hot water safety device 38 ° C
 Soft-edge Rosette □ 150 mm
 Without concealed installation set 88011

Finishes:
 05 chrome

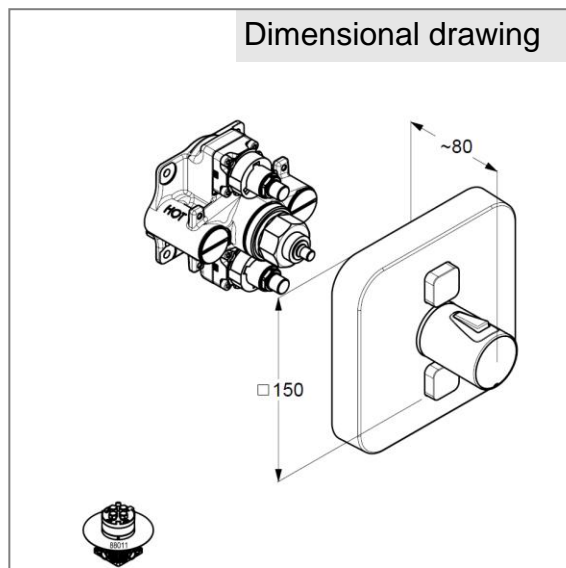
Product picture



Advertisement

single lever basin mixer, manufacturer KLUDI GmbH & Co. KG
 KLUDI Push item no. 388110538
 type: Final assembly kit for wall mounting body manufactures Kludi GmbH & Co KG,
 KLUDI PUSH Concealed thermostatic shower mixer art. No. 388110538,
 Trim set with functional unit as a finishing assembly kit for concealed unit DN 20
 KLUDI FLEXX.BOXX Art. Nr. 88011, 2 consumers, cover rosette chrome plated plastic,
 with temperature selector, control handle with hot water safety device 38°C,
 operating elements made of plastic / chrome,
 Optimal function only in combination with KLUDI products
 dimensions: □ 150 mm, projection: ca. 80 mm

Dimensional drawing



Flow rate diagram

