

Product: KLUDI PUSH concealed with functional unit

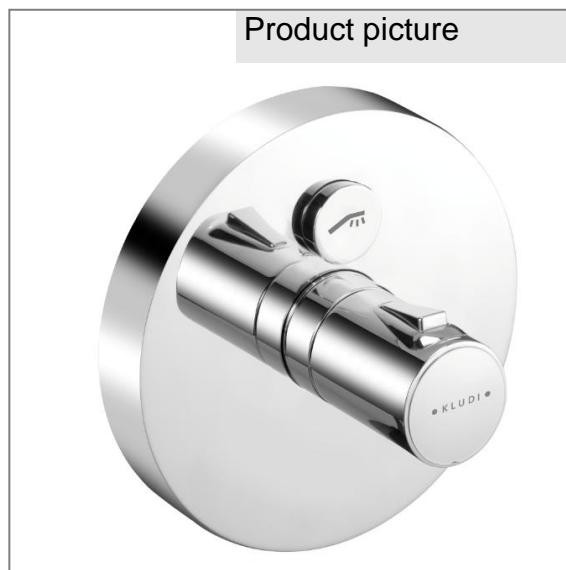
Ref.: 388020538

Product description

Trim set with functional unit
 With pushbutton for control by one consumer
 hot water safety device 38 ° C
 Soft-edge Rosette Ø 150 mm
 Without concealed installation set 88011

Finishes:
 05 chrome

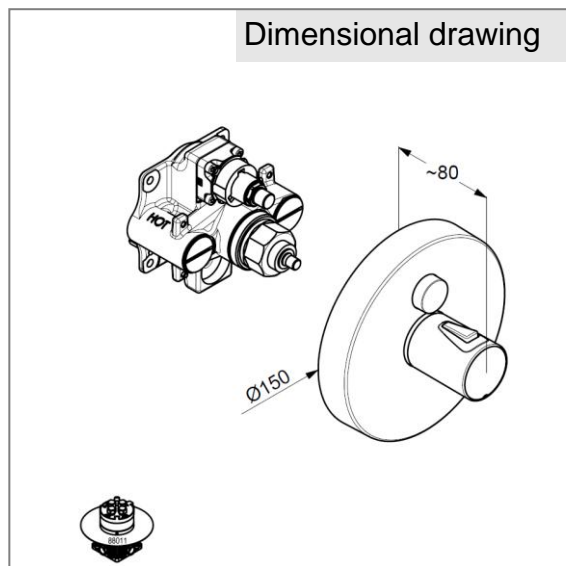
Product picture



Advertisement

single lever basin mixer, manufacturer KLUDI GmbH & Co. KG
 KLUDI Push item no. 388020538
 type: Final assembly kit for wall mounting body manufactures Kludi GmbH & Co KG,
 KLUDI PUSH Concealed thermostatic shower mixer art. No. 388010538,
 Trim set with functional unit as a finishing assembly kit for concealed unit DN 20
 KLUDI FLEXX.BOXX Art. Nr. 88011, 1 consumer, cover rosette chrome plated plastic,
 with temperature selector, control handle with hot water safety device 38°C,
 operating elements made of plastic / chrome,
 Optimal function only in combination with KLUDI products
 dimensions: Ø 150 mm, projection: ca. 80 mm

Dimensional drawing



Flow rate diagram

