

Product: KLUDI ZENTA single lever bath- and shower mixer DN 15

Ref.: 38670..75

Product description

single lever bath- and shower mixer DN 15
 solid lever
 wall fastening
 flow class CB
 aerator M 24 x I
 ceramic cartridge with hot water safety device
 automatic diverter: shower to bath tub
 shower outlet G 1/2
 protected against back flow
 S unions
 without shower set
 noise group I
 PA- IX 18636/ICB

Finishes:
 05 chrome
 86 chrome/black
 91 chrome/white

Advertisement

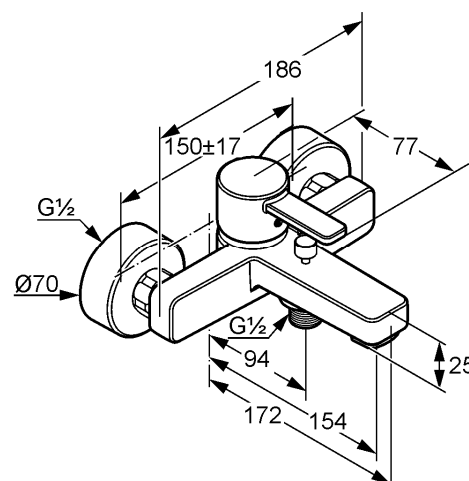
- * KLUDI GmbH & Co KG KLUDI ZENTA single lever bath- and shower mixer item no. 38670..75
- ** ceramic cartridge with hot water safety device Ø 35 mm, DIN-EN 817
- *** brass, DIN 50930-6

single lever bath- and shower mixer, manufacturer KLUDI GmbH & Co KG KLUDI ZENTA single lever bath- and shower mixer item no. 38670..75, DN 15, finishes: 05 chrome; 86 chrome/black; 91 chrome/white plated brass, solid lever, ceramic cartridge with hot water safety device Ø 35 mm, noise level DIN EN 4109 group I, report no. PA- IX 18636/ICB, type: single lever bath- and shower mixer DN 15, with automatic diverter: shower to bath tub, protected against back flow DIN EN 1717, wall fastening, bath tube filler with aerator M 24 x I, flow class C B (max. 0,42 l/s), shower connection 1/2 inch, lever projection 77 mm, nozzle projection 154 / 172 mm, S unions 1/2 x 3/4 inch, for pressure type water heater, continuous line heater, PN 10,

Product picture



Dimensional drawing



Flow rate diagram

