

**Product:** KLUDI ZENTA concealed bath/shower mixer, trim set with functional unit, protected against back flow

**Ref.:** 386570575

**Product description**

Finishes:  
05 chrome

concealed bath/shower mixer  
trim set with functional unit  
solid lever  
wall mounting  
automatic diverter: shower to bath tub  
ceramic cartridge with hot water safety device  
flow class CB  
without pre-installation set  
KLUDI FLEXX.BOXX 88011  
protected against back flow according to DIN EN 1717  
noise group I, P-IX 19310/ICB

**Advertisement**

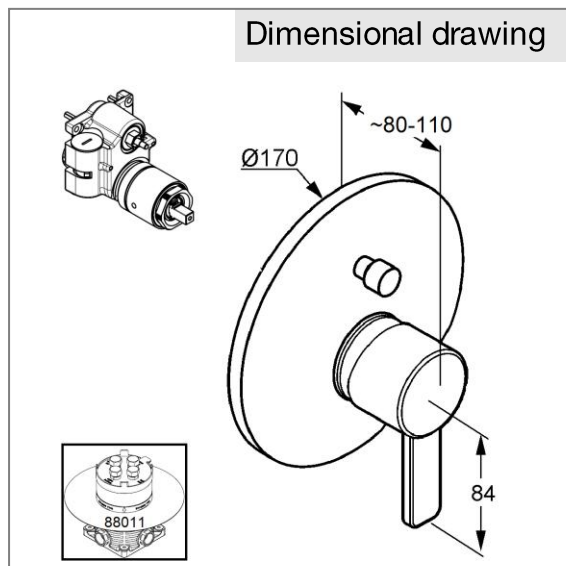
- \* KLUDI GmbH & Co KG KLUDI ZENTA concealed bath/shower mixer, trim set with functional unit item no. 386570575
- \*\* chrome plated brass/plastic
- \*\*\* trim set with concealed bath/shower mixer for KLUDI FLEXX.BOXX DN 20 item no. 88011

concealed bath/shower mixer valve, manufacturer KLUDI GmbH & Co KG  
type KLUDI ZENTA concealed bath/shower mixer with trim set item no. 386570575,  
trim set with functional unit, noise level DIN 4109 group I, approval no. P-IX 19310 /ICB, protected against back flow, for pre-installation set KLUDI FLEXX.BOXX DN 20 item no. 88011, solid lever, wall flange chrome plated plastic, automatic diverter: shower to bath tub, ceramic cartridge with hot water safety device, lever projection 84 mm, diameter wall flange 170 mm, without extension set 7300600-00, without pre-installation set KLUDI FLEXX.BOXX item no. 88011,  
Optimal function only in combination with KLUDI products,

Product picture



Dimensional drawing



Flow rate diagram

