

**Product:** KLUDI BOZZ concealed shower mixer, trim set with functional unit

**Ref.:** 386550576

**Product description**

concealed shower mixer  
 trim set with functional unit  
 solid lever  
 wall fastening  
 ceramic cartridge with hot water safety device  
 flow class DC  
 without pre-installation set  
 KLUDI FLEXX.BOXX 88011  
 noise group I, PA-IX 18967/IDC

Finishes:  
 05 chrome

**Product picture**

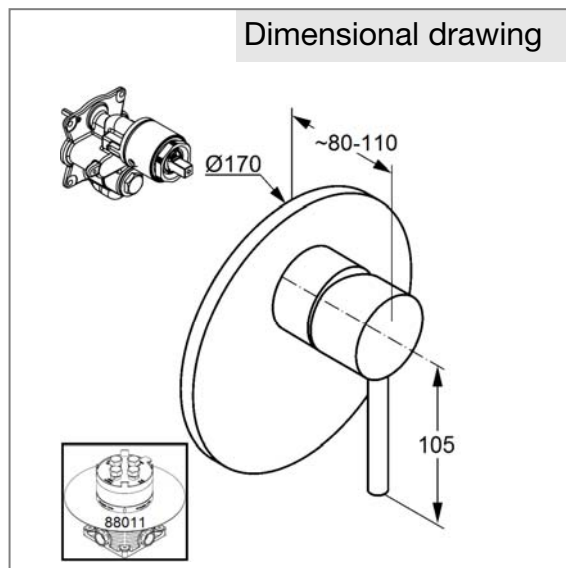


**Advertisement**

- \* KLUDI GmbH & Co KG KLUDI BOZZ concealed shower mixer trim set with functional unit item no. 386550576
- \*\* chrome plated brass/plastic
- \*\*\* trim set with concealed shower mixer for KLUDI FLEXX.BOXX DN 20 item no. 88011

concealed shower mixer valve, manufacturer KLUDI GmbH & Co. KG  
 type KLUDI BOZZ concealed shower mixer with trim set item no. 386550576,  
 trim set with functional unit for pre-installation set KLUDI FLEXX.BOXX DN 20  
 item no. 88011, solid lever, chrome plated brass, cover plate chrome plated plastic,  
 cover plate Ø 170 mm, ceramic cartridge with hot water safety device, without extension set item no. 7300600-00, without pre-installation set KLUDI FLEXX.BOXX item no. 88011,  
 noise level DIN 4109 noise group I, PA-IX 18967/IDC  
 Optimal function only in combination with KLUDI products,

**Dimensional drawing**



**Flow rate diagram**

