

Product: **KLUDI concealed bath/shower mixer DN 15**

Ref.: **38625**

Product description

concealed bath/shower mixer DN 15
 pre-installation set
 in-wall installation
 flow class BB
 ceramic cartridge with hot water safety device
 noise group I
 PA- IX 8281/IBB
 without trim set

Advertisement

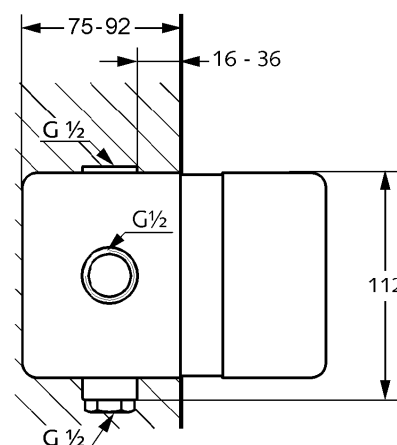
- * KLUDI GmbH & Co KG KLUDI concealed bath/shower mixer item no. 38625
- ** ceramic cartridge with hot water safety device Ø 35 mm, DIN EN 817
- *** brass, DIN 50930-6
- **** protected against back flow (with wall supply 6306105-00 and pipe interrupter 1077200-00) pipe interrupter only for use with bath filling waste- and overflow sets

concealed bath/shower mixer, manufacturer KLUDI GmbH & Co KG KLUDI concealed bath/shower mixer item no. 38625, DN 15, brass, ceramic cartridge with hot water safety device Ø 35 mm, type: concealed bath/shower mixer pre- installation set DN 15, flow class BB (max. 0,42 l/s), noise level DIN EN 4109 group I, PA- IX 8281 / IBB, for use with automatic diverter: shower to bath tub, installation depth 75 to 92 mm, without trim set, conformity with .. EN 1717: shower outlet protected against back flow with wall supply KLUDI item no. 6306105-00, bath outlet with pipe interrupter 1077200-00 - pipe interrupter only for use with bath filling waste-and overflow sets like KLUDI ROTEXA 2131500-00, PN 10, Optimal function can only guaranteed in combination with KLUDI products

Product picture



Dimensional drawing



Flow rate diagram

