

Product: **KLUDI PUSH concealed with rotary cartridge and functional unit**

Ref.: **386110538**

Product description

Trim set with functional unit
with pushbutton for control by two consumers
ceramic rotary cartridge with hot water limitation
cover plate □ 150 mm
without concealed installation set 88011

Finishes:
05 chrome

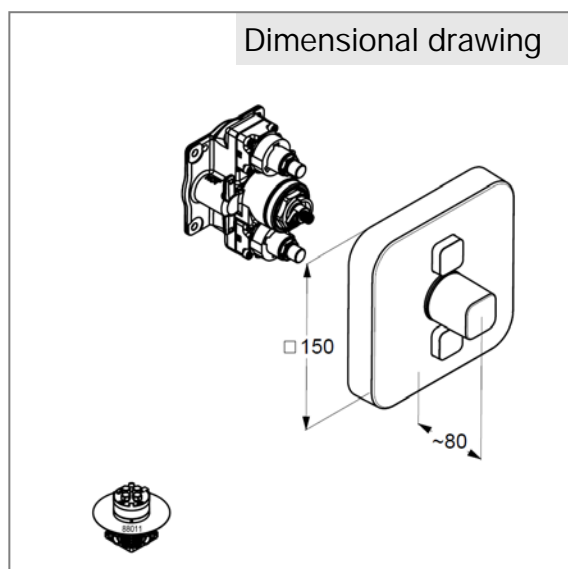
Advertisement

type: Final assembly kit for wall mounting body manufactures Kludi GmbH & Co KG, KLUDI PUSH concealed with rotary cartridge and functional unit art. No. 386040538, Trim set with functional unit as a finishing assembly kit for concealed unit DN 20 KLUDI FLEXX.BOX Art. Nr. 88011, 2 consumers, cover plate chrome plated plastic, rotary cartridge with hot water limitation, operating elements made of plastic / chrome, Optimal function only in combination with KLUDI products
dimensions: □ 150 mm, projection: ca. 80 mm

Product picture



Dimensional drawing



Flow rate diagram

