

Product: **KLUDI PUSH concealed with rotary cartridge and functional unit**

Ref.: **386020538**

### Product description

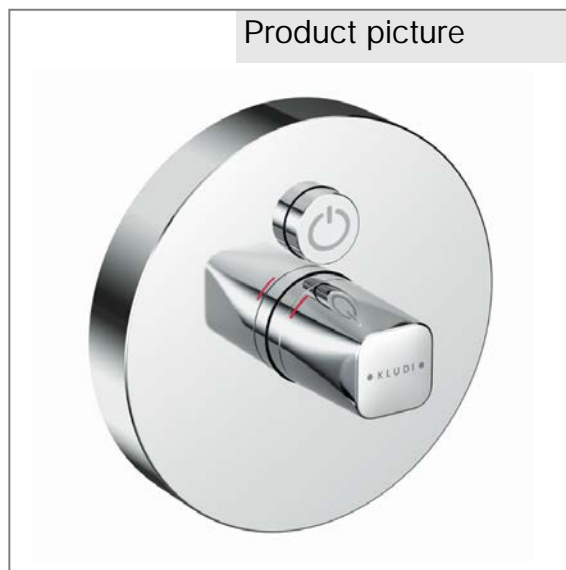
Trim set with functional unit with pushbutton for control by one consumer ceramic rotary cartridge with hot water limitation diameter cover plate Ø 150 mm without concealed installation set 88011

Finishes:  
05 chrome

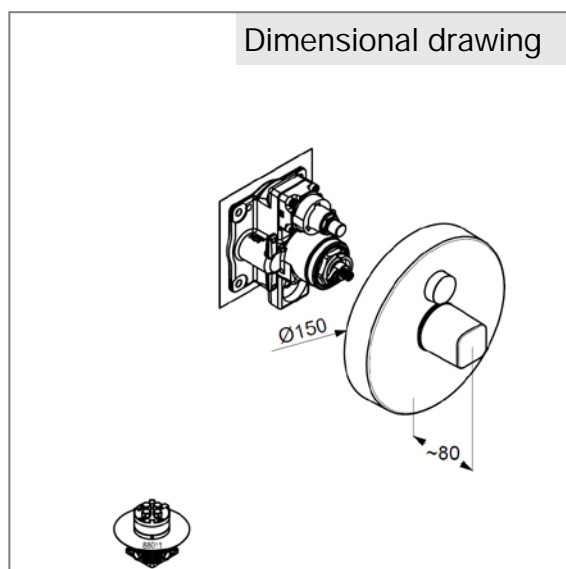
### Advertisement

type: Final assembly kit for wall mounting body manufactures Kludi GmbH & Co KG, KLUDI PUSH concealed with rotary cartridge and functional unit art. No. 386020538, Trim set with functional unit as a finishing assembly kit for concealed unit DN 20 KLUDI FLEXX.BOX Art. Nr. 88011, 1 consumer, cover plate chrome plated plastic, rotary cartridge with hot water limitation, operating elements made of plastic / chrome, Optimal function only in combination with KLUDI products  
Optimal function only in combination with KLUDI products  
dimensions: Ø 150 mm, projection: ca. 80 mm

Product picture



Dimensional drawing



Flow rate diagram

