

Product: KLUDI ZENTA single lever bath- and shower mixer DN 15

Ref.: 384460575

Product description

single lever bath- and shower mixer DN 15
 deck mounted
 solid lever
 three hole deck mounted
 flow class DB
 s-pointer aerator M 24 x I
 ceramic cartridge with hot water safety device
 automatic diverter: shower to bath tub
 protected against back flow
 retractable KLUDI ZENTA handshower
 flexible high pressure supply tube G 1/2 x 1/2 x 600 mm
 projection 140 mm
 noise group I

Finishes:
 05 chrome

Advertisement

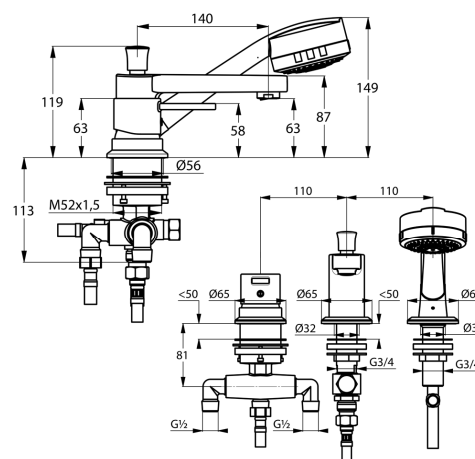
- * KLUDI GmbH & Co KG KLUDI ZENTA single lever bath- and shower mixer item no. 384460575
- ** brass, DIN 50930-6
- *** ceramic cartridge with hot water safety device Ø 41 mm, DIN EN 817

deck mounted single lever bath- and shower mixer, manufacturer KLUDI GmbH & Co KG KLUDI ZENTA single lever bath- and shower mixer item no. 384460575, DN 15, chrome plated brass, ceramic cartridge with hot water safety device Ø 41 mm, solid lever, noise level DIN EN 4109 group I, without report no., type: deck mounted single lever bath- and shower mixer DN 15, flow class D B max. 0,42 l/s, nozzle projection 140 mm, protected against back flow DIN EN 1717, lever projection 84 mm, with (swivel) s-pointer aerator M 24 x I, automatic diverter: shower to bath tub, retractable KLUDI ZENTA handshower, fixed shuft for shower hose, flexible high pressure supply tube with DVGW / KIWA / WRAS / CSTB 1/2 x 1/2 inch x 600 mm, nozzle height 63/87 mm, for hole diameter 110 mm, with handshower KLUDI ZENTA 2 S, chrome plated plastic, with shower spray/champagne rain, with cleaning system, noise level DIN EN 4109 group I, without report no., connection 1/2 inch, diameter shower head 84 mm, length 230 mm, shower hose with metal body with W270/KTW-A 1/2 inch x 15 x 2000 mm, for pressure type water heater, for continuous line heater, PN 10,

Product picture



Dimensional drawing



Flow rate diagram

