

Product: **KLUDI BOZZ basin mixer with pop up waste G1¼
DN 15**

Ref.: **383930576**

Product description

basin mixer DN 10
rotary handle
three hole deck mounted
flow rate 14,5 l/min. at 3 bar
Cache aerator M 21,5 x l
ceramic headparts 90°
pop up waste G1¼ inch
rapid installation set
flexible high pressure supply tubes G 3/8

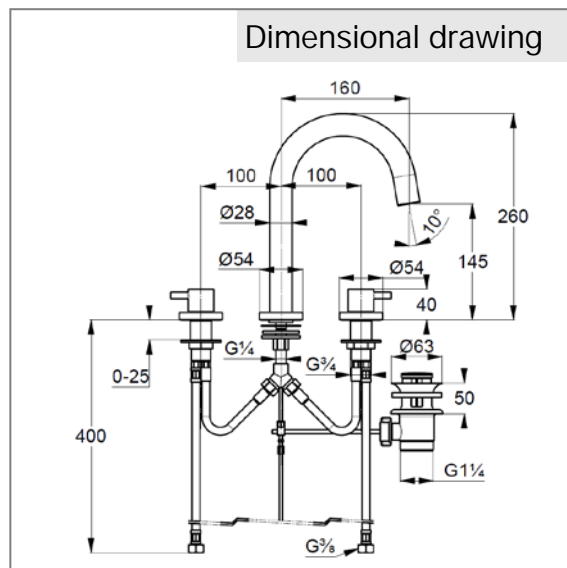
Finishes:
05 chrome



Advertisement

basin mixer, manufacturer KLUDI GmbH & Co. KG KLUDI BOZZ basin mixer item no. 383930576, chrome plated brass, DN 15, ceramic headparts 90°, KLUDI BOZZ handles, type: 3 - hole basin mixer DN 15, Cache aerator M 21,5 x l, flow rate 14,5 l/min. at 3 bar, flexible high pressure supply tubes 3/8 inch with metal body with DVGW / KIWA / WRAS / CSTB approval length 360 mm, nozzle projection 160 mm, nozzle height 145 mm, overall length 260 mm, spout with rapid installation system, side valves with back nut fixing, rotary handle, chrome plated rigid spout, pop up waste G1¼ inch, for pressure type water heater, continuous line heater, PN 10,

Dimensional drawing



Flow rate diagram

