

Product: KLUDI BOZZ single lever basin mixer DN 10

Ref.: 382910576

Product description

single lever basin mixer DN 10
 solid lever
 single hole mounted
 flow class Z
 PCA Cache aerator M 16,5 x I
 ceramic cartridge with hot water safety device
 pop up waste 1 1/4 inch
 rapid installation set
 flexible high pressure supply tubes 3/8 inch
 noise level I
 P- IX 19189 / IO

Finishes:
 05 chrome

Product picture

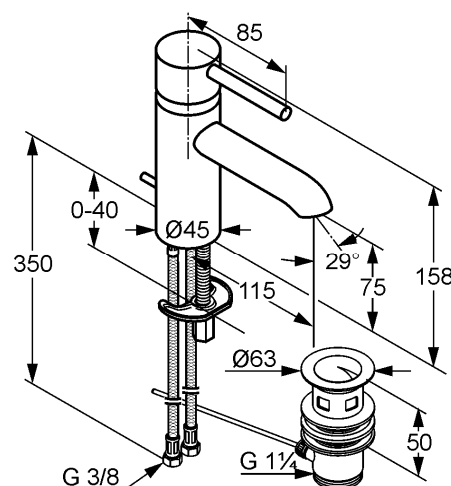


Advertisement

- * KLUDI GmbH & Co KG KLUDI BOZZ single lever basin mixer item no. 382910576
- ** ceramic cartridge with hot water safety device Ø 35 mm, DIN EN 817
- *** brass, DIN 50930-6

single lever basin mixer, manufacturer KLUDI GmbH & Co KG KLUDI BOZZ single lever basin mixer item no. 382910576, DN 10, chrome plated brass, ceramic cartridge with hot water safety device Ø 35 mm, solid lever, noise level DIN EN 4109 group I, report no. P- IX 19189 / IO, type: single lever basin mixer DN 10, flow level Z = 8,7 l/min, eco Cache aerator M 16,5 X I, flexible high pressure supply tubes 3/8 inch with DVGW / KIWA / WRAS / CSTB approval with metal body length 350 mm, nozzle projection 115 mm, nozzle height 75 mm, lever projection 85 mm, rapid installation set, overall length 158 mm, pop up waste 1 1/4 inch, for pressure type water heater, continuous line heater, PN 10,

Dimensional drawing



Flow rate diagram

