

**Product:** KLUDI ZENTA single lever basin mixer with raised base for use with counter-top basin DN 10

**Ref.:** 382560575

**Product description**

single lever basin mixer DN 10  
 with raised base for use with counter-top basin  
 solid lever  
 single hole mounted  
 flow class Z  
 s-pointer eco-aerator M 24 x I  
 ceramic cartridge with hot water safety device  
 without pop up waste  
 rapid installation set  
 flexible high pressure supply tubes G 3/8  
 noise level I

Finishes:  
 05 chrome

**Advertisement**

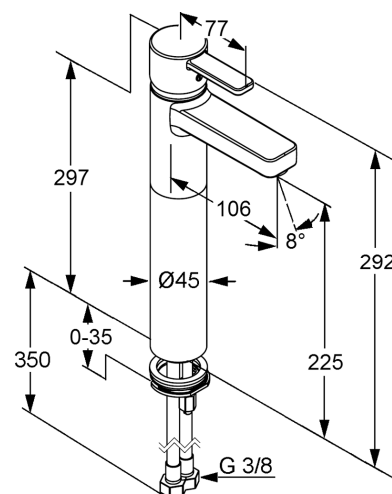
- \* KLUDI GmbH & Co KG KLUDI ZENTA single lever basin mixer item no. 382560575
- \*\* ceramic cartridge with hot water safety device Ø 35 mm, DIN EN 817
- \*\*\* chrome plated brass, DIN 50930-6

single lever basin mixer, manufacturer KLUDI GmbH & Co KG KLUDI ZENTA single lever basin mixer with raised base for use with counter-top basin item no. 382560575, DN 10, chrome plated brass, ceramic cartridge with hot water safety device Ø 35 mm, solid lever, noise level DIN EN 4109 group I, report no., type: single lever basin mixer DN 10, flow class Z (max. 0,15 l/s), s-pointer eco aerator M 24 X I Z, flexible high pressure supply tubes 3/8 inch with DVGW / KIWA / WRAS / CSTB with metal body length 350 mm, nozzle projection 106 mm, nozzle height 225 mm, lever projection 77 mm, rapid installation set, overall length 297/292 mm, for pressure type water heater, for continuous line heater, PN 10,

**Product picture**



**Dimensional drawing**



**Flow rate diagram**

