

Product: **KLUDI ZENTA single lever basin mixer DN 10**

Ref.: **38250..75**

Product description

single lever basin mixer DN 10
 solid lever
 single hole mounted
 flow class Z
 s-pointer eco-aerator M 24 x I
 ceramic cartridge with hot water safety device
 pop up waste 1 1/4 inch
 rapid installation set
 flexible high pressure supply tubes G 3/8
 noise group I
 P-IX 18634/IA

Finishes:
 05 chrome
 86 chrome/black
 91 chrome/white

Advertisement

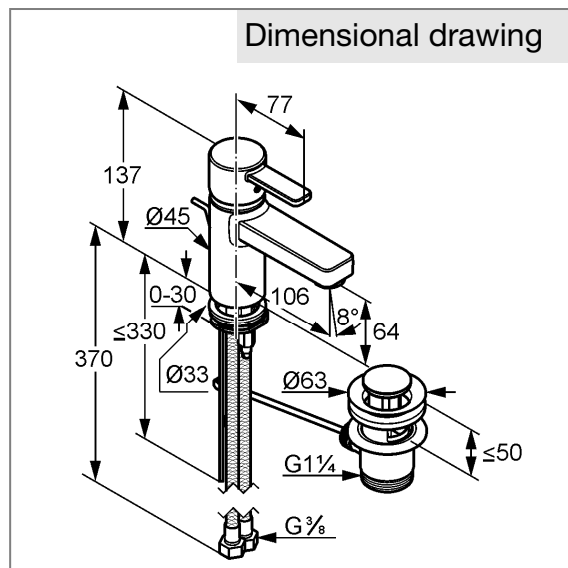
- * KLUDI GmbH & Co KG KLUDI ZENTA single lever basin mixer item no. 38250..75
- ** ceramic cartridge with hot water safety device Ø 35 mm, DIN EN 817
- *** plated brass, DIN 50930-6

single lever basin mixer, manufacturer KLUDI GmbH & Co KG KLUDI ZENTA single lever basin mixer item no. 382500575, DN 10, finishes: 05 chrome; 86 chrome/black; 91 chrome/white plated brass, ceramic cartridge with hot water safety device Ø 35 mm, solid lever, noise level DIN EN 4109 group I, report no. P- IX 18634/IA, type: single lever basin mixer DN 10, flow class Z (max. 0,15 l/s), s-pointer eco-aerator M 24 X I Z, pop up waste 1 1/4 inch, flexible high pressure supply tubes 3/8 inch with DVGW / KIWA / WRAS / CSTB with metal body length 370 mm, nozzle projection 106 mm, nozzle height 64 mm, lever projection 77 mm, rapid installation set, overall length 137 mm, for pressure type water heater, for continuous line heater, PN 10,

Product picture



Dimensional drawing



Flow rate diagram

