

Product: KLUDI KLUDI wall mounted basin mixer for concealed

Ref.: 38242

Product description

wall mounted basin mixer for concealed 2-hole installation
 Finishes:
 hole
 installation DN 15
 pre-installation set
 in-wall installation
 ceramic cartridge with hot water safety device
 with protection sleeve G 1/2
 mounting-depth-compensation 30 mm
 2 connectors G 1/2
 without trim set

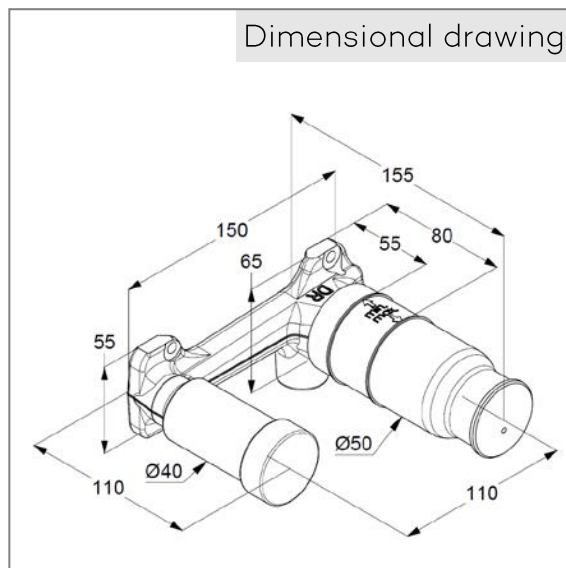
Advertisement

wall mounted basin mixer for concealed 2-hole installation,
 manufacturer KLUDI
 GmbH & Co KG KLUDI wall mounted basin mixer for concealed 2-hole installation item
 no. 38242, DN 15, brass : wall mounted basin mixer for concealed 2-hole installation, pre-installation set for in-wall installation, ceramic cartridge with hot water safety device, flow rate 16 l/ min/ 3 bar, installation depth min. 45 mm to max. 75 mm, mountingdepth-compensation 30 mm with protection sleeve G 1/2, 2 connectors G 1/2 for cold and hot water supply,

Product picture



Dimensional drawing



Flow rate diagram

