

Product: **KLUDI BOZZ wall mounted basin mixer DN 15**

Ref.: **381460520**

Product description

wall mounted basin mixer DN 15  
for concealed installation

Finishes:  
05 chrome

Cross handles

flow rate at 3 bar 7,8 l/min.

PCA s-pointer aerator M 24 x 1

ceramic headparts 90°

complete with inwall- and trim set

spout projection 230mm

noise group I

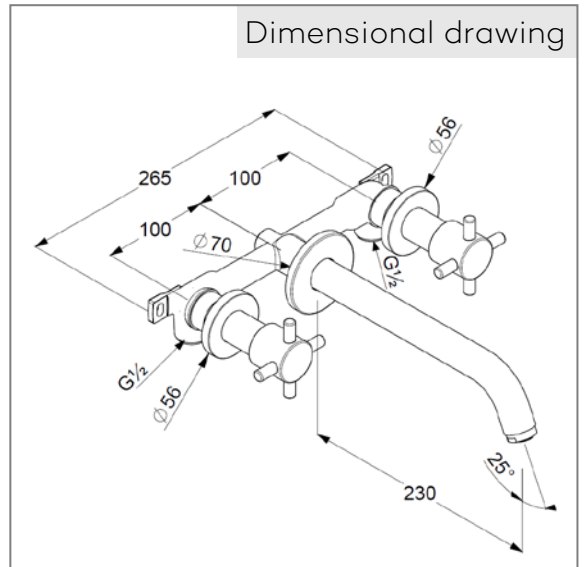
Product picture



Advertisement

wall mounted basin mixer for concealed installation, manufacturer KLUDI GmbH & Co. KG KLUDI BOZZ wall mounted basin mixer item no. 381460520, DN 15, chrome plated brass, ceramic headparts 90°, Cross handles, noise level DIN EN 4109 group I, without report no., type: wall mounted basin mixer for concealed installation DN 15, flow rate at 3 bar = 7,8 l/min. PCA s-pointer aerator M 24 x 1, spout projection 230 mm, complete with in-wall- and trim set, brass body 1/2 inch, for pressure water heater, continuous line heater, PN 10,

Dimensional drawing



Flow rate diagram

