

Product: **KLUDI stand pillar tap DN 15**

Ref.: **381160530**

**Product description**

stand pillar tap DN 15  
 Cylindrical handle  
 single hole mounted  
 flow class Z  
 s-pointer Cache Eco-aerator M 18,5 x l  
 ceramic headpart 90°  
 shank-fixing  
 noise group I  
 without rigid pipe Ø 10 x 500 item no. 1620305  
 without flexible high pressure supply tube  
 item no. 7605500-00

Finishes:  
 05 chrome

**Advertisement**

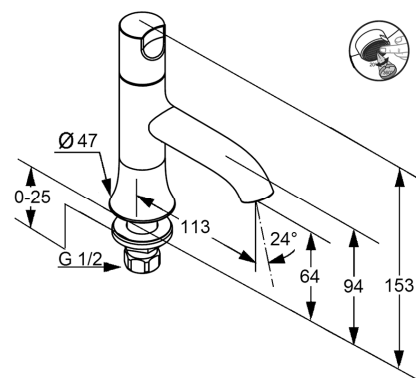
- \* KLUDI GmbH & Co KG KLUDI stand pillar tap item no. 381160530
- \*\* ceramic headpart 90°, DIN EN 200
- \*\*\* brass, DIN 50930-6

stand pillar tap, manufacturer KLUDI GmbH & Co KG KLUDI stand pillar tap item no. 381160530, DN 15, chrome plated brass, ceramic headpart 90°, cylindrical handle, noise level DIN 4109 group I, without report no., type: stand pillar tap DN 15, flow class Z (max. 0,15 l/s), s-pointer Cache Eco-aerator M 18,5 x l, nozzle projection 113 mm, nozzle height 64, with back nut fixing, with adapter for pipes 1/2 inch, overall length 153 mm, without rigid pipe 10 mm x 500 mm item no. 1620305 or without flexible high pressure supply tube 3/8 x 1/2 inch x 500 mm item no. 7605500-00, for pressure type water heater / continuous line heater (if using mixed water max. 38°C), PN 10,

Product picture



Dimensional drawing



Flow rate diagram

