

**Product:** KLUDI LOGO NEO single lever sink mixer DN 10

**Ref.:** 379130575

**Product description**

single lever sink mixer DN 10  
 solid lever  
 single hole mounted  
 flow class A  
 aerator M 24 x I  
 ceramic cartridge with hot water safety device  
 swivelling (360°) spout 200 mm  
 rapid installation set  
 flexible high pressure supply  
 tubes G 3/8  
 noise group I  
 P- IX 7526/IA  
 DIN-DVGW-CM-0336

Finishes:  
 chrome

**Advertisement**

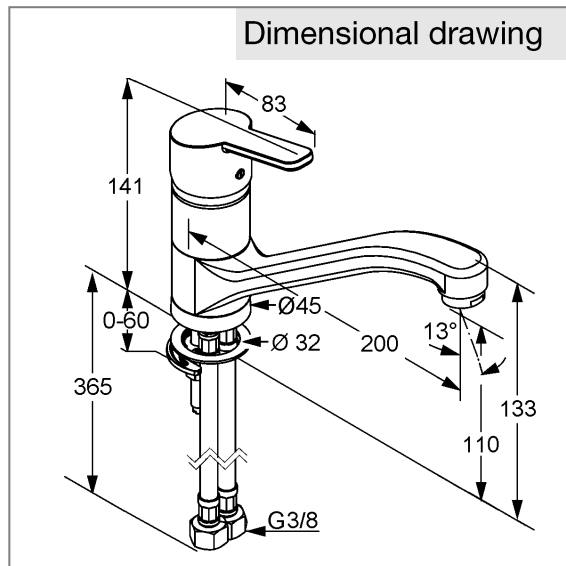
- \* KLUDI GmbH & Co KG KLUDI LOGO NEO single lever sink mixer DN 10 item no. 379130575
- \*\* ceramic cartridge with hot water safety device Ø 35 mm, DIN EN 817
- \*\*\* chrome plated brass, DIN 50930-6

single lever sink mixer, manufacturer KLUDI GmbH & Co KG KLUDI LOGO NEO single lever sink mixer item no. 379130575, DN 10, chrome plated brass, type: single lever sink mixer DN 10, swivel spout L = 200 mm, solid lever, lever projection 83 mm, aerator M 24 x I, noise level DIN EN 4109 group I, report no. P- IX 7526 / IA, with DIN-DVGW certificate, flow class A (max. 0,25 l/s), nozzle projection 200 mm, rapid installation set, flexible high pressure supply tubes 3/8 inch with metal body with DVGW / KIWA / WRAS / CSTB length 365 mm, ceramic cartridge with hot water safety device Ø 35 mm, nozzle height 110/133 mm, overall length 141 mm, for pressure type water heater, for continuous line heater, PN 10,

Product picture



Dimensional drawing



Flow rate diagram

