

Product: KLUDI LOGO NEO CARE single lever basin mixer DN 15

Ref.: 372870575

Product description

single lever basin mixer DN 15
 single hole mounted
 solid lever
 ceramic cartridge K-36 with hot water safety device
 aerator M 24 x 1
 flow rate 7 l/min at 3 bar
 flexible high pressure supply tubes G 3/8
 rapid installation set
 pop up waste 1 1/4 inch

Finishes:
 05 chrome

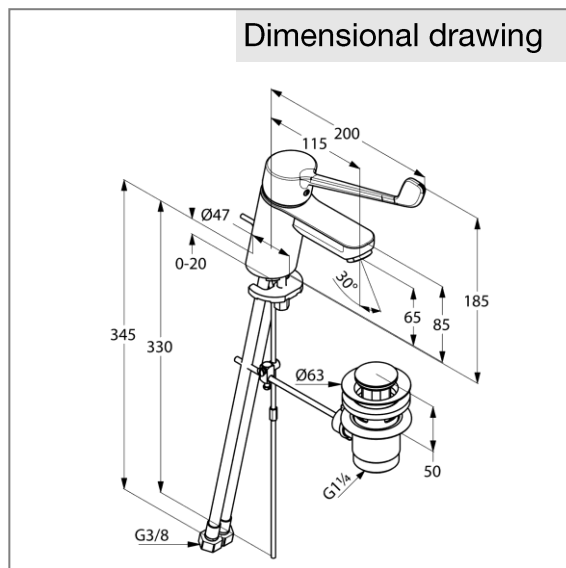
Product picture



Advertisement

single lever basin mixer, manufacturer KLUDI GmbH & Co. KG
 KLUDI LOGO NEO CARE item no. 372870575
 type: single lever basin mixer, DN 15 / PN 10, chrome plated brass, with pop up waste 1 1/4 inch rod-pull and pull knob chrome plated, solid lever chrome plated metal, ceramic cartridge K-36 with hot water safety device, aerator M 24 x 1, flow rate 7l/min at 3 bar, flexible high pressure supply tubes 3/8 inch with DVGW / W270 approval, rapid installation set
 dimensions: height: 185 mm, nozzle height: 85 mm, projection: 115 mm, lever projection: 200 mm

Dimensional drawing



Flow rate diagram

