

Product: **KLUDI MEDI CARE single lever sink mixer DN 8**

Ref.: **349080524**

### Product description

single lever sink mixer DN 8  
 arm lever for hospital purpose  
 single hole mounted  
 flow class Z  
 flow rate 8 l/min  
 care jet-spray regulator M 24 x I  
 safety ceramic cartridges with hot water safety stop  
 rapid installation set  
 swivel spout  
 copper tubes Ø 10 mm  
 noise group I  
 P-IX 9572/IZ

Finishes:  
 05 chrome

### Product picture

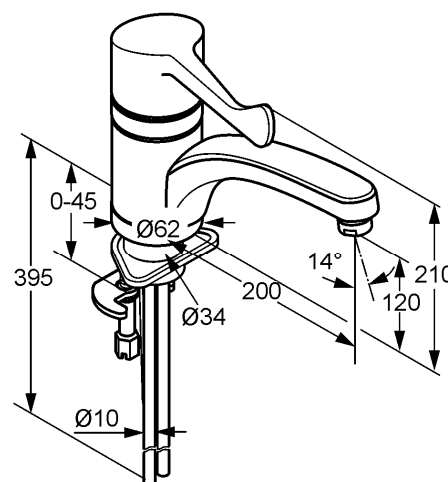


### Advertisement

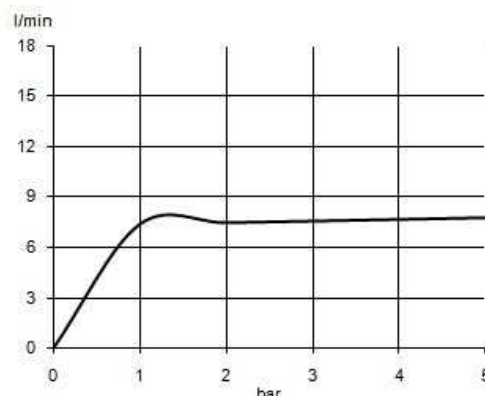
- \* KLUDI GmbH & Co. KG KLUDI MEDI-CARE single lever sink mixer item no. 349080524
- \*\* safety ceramic cartridge with hot water safety stop Ø 35 mm, DIN EN 817
- \*\*\* chrome plated brass, DIN 50930-6

single lever sink mixer, manufacturer KLUDI GmbH & Co. KG KLUDI MEDI-CARE single lever sink mixer item no. 349080524, DN 8, chrome plated brass, safety ceramic cartridge with hot water safety stop Ø 35 mm, flow rate 8 l/min, type: single lever sink mixer DN 8, swivel spout, PCA care- non aerated M 24 x I, noise level DIN EN 4109 group I, report no. P- IX 9572 / IZ, nozzle height 120 mm, lever projection 160 mm, copper tubes Ø 10 mm chrome plated length 395 mm, nozzle projection 200 mm, overall length 210 mm, rapid installation set, arm lever for hospital purpose, for borehole diameter Ø 34 mm, for pressure type water heater, for continuous line heater, PN 0,

### Dimensional drawing



### Flow rate diagram



Laminarstrahl  
 non aerated