

Product: **KLUDI MEDI CARE single lever basin mixer DN 8**

Ref.: **341120524**

### Product description

single lever basin mixer DN 8  
 arm lever for hospital purpose  
 single hole mounted  
 flow class Z  
 flow rate 8 l/min  
 care jet-spray regulator M 24 x I  
 safety ceramic cartridge with hot water safety stop  
 without pop up waste  
 rapid installation set  
 rigid spout  
 copper tubes  $\varnothing$  10 mm  
 noise group I  
 P-IX 9571/IZ

Finishes:  
 05 chrome

### Advertisement

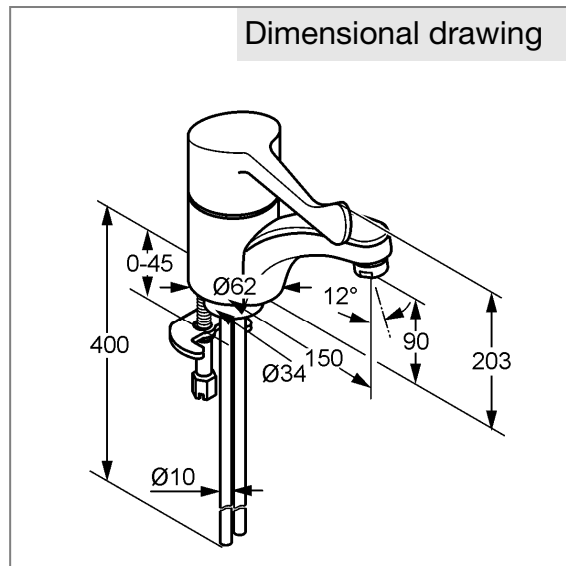
- \* KLUDI GmbH & Co. KG KLUDI MEDI-CARE single lever basin mixer item no. 341120524
- \*\* safety ceramic cartridge with hot water safety stop  $\varnothing$  35 mm, DIN EN 817
- \*\*\* chrome plated brass, DIN 50930-6

single lever basin mixer KLUDI GmbH & Co. KG KLUDI MEDI-CARE single lever basin mixer item no. 341120524, DN 8, chrome plated brass, safety ceramic cartridge with hot water safety stop  $\varnothing$  35 mm, flow rate 8 l/min, type: single lever basin mixer DN 8, PCA care- non aerated M 24 x I, noise level DIN EN 4109 group I, report no. P- IX 9571 / IZ, nozzle height 90 mm, lever projection 160 mm, copper tubes  $\varnothing$  10 mm chrome plated length 400 mm, nozzle projection 150 mm, overall length 203 mm, rapid installation set, rigid spout, arm lever for hospital purpose, for borehole diameter  $\varnothing$  34 mm, for pressure type water heater, for continuous line heater, PN 10,

Product picture



Dimensional drawing



Flow rate diagram

