

Product: **KLUDI SCOPE single lever sink mixer bayonette DN 10**

Ref.: **33938..75**

Product description

single lever sink mixer bayonette DN 10
 solid lever
 single hole mounted
 flow class A
 Cache aerator M 16,5 x I
 ceramic cartridge with hot water safety device
 swivelling (360°) spout
 for installation below the window
 remaining height at the base: 25 mm
 shank-fixing
 flexible high pressure supply tubes G 3/8
 noise group I
 certification mark submitted

Finishes:
 05 chrome

Advertisement

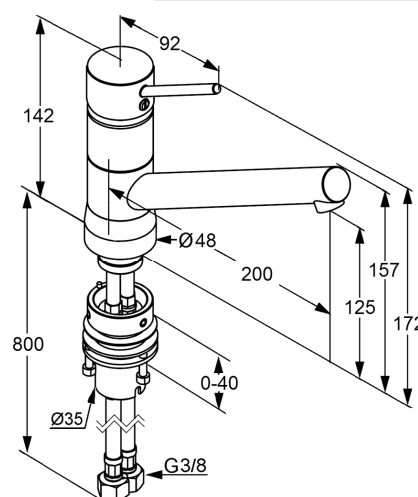
- * KLUDI GmbH & Co KG SCOPE single lever sink mixer bayonette DN 10 item no. 33938..75
- ** ceramic cartridge with hot water safety device \varnothing 35 mm, DIN EN 817
- *** brass, DIN 50930-6

single lever sink mixer bayonette, manufacturer KLUDI GmbH & Co KG KLUDI SCOPE single lever sink mixer bayonette item no. 33938..75, DN 10, surface: 05 = chrome plated brass, type: single lever sink mixer bayonette DN 10, swivel (range 360°) spout, solid lever, lever projection 92 mm, Cache aerator M 16,5 x I, noise level DIN 4109 group I, report no. P- IX ... / IA, flow class A (max. 0,25 l/s), nozzle projection 200 mm, shank fixing, flexible high pressure supply tubes 3/8 inch with metal body with DVGW / KIWA / WRAS / CSTB length 800 mm, nozzle height 125/157 mm, overall length 142/172 mm, ceramic cartridge with hot water safety device \varnothing 35 mm, for installation below the window, remaining height at the base 25 mm, for borehole diameter \varnothing 35 mm, for pressure type water heater, for continuous line heater, PN 10,

Product picture



Dimensional drawing



Flow rate diagram

