

Product: KLUDI OBJEKTA concealed shower mixer, trim set with functional unit

Ref.: 326550575

Product description

concealed shower mixer
 trim set with functional unit
 wall mounting
 solid lever
 ceramic cartridge with hot water safety device
 flow class C
 without pre-installation set
 KLUDI FLEXX.BOXX item no. 88011
 noise group I, PA-IX 18967/IDC

Finishes:
 05 chrome

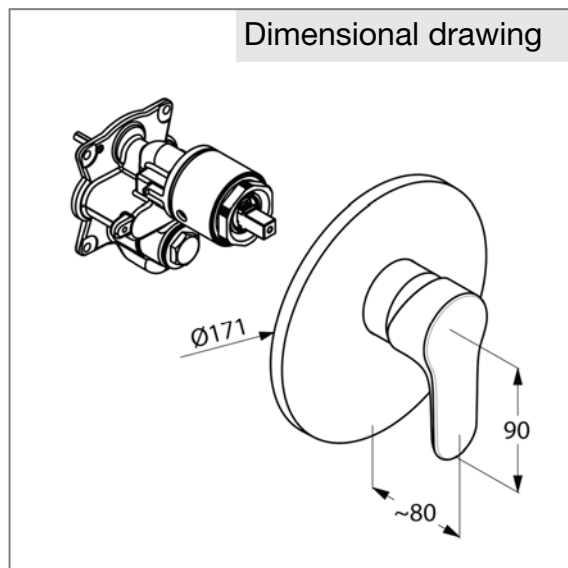
Product picture



Advertisement

concealed shower mixer valve, manufacturer KLUDI GmbH & Co KG
 KLUDI OBJEKTA item no. 326550575
 type: concealed shower mixer trim set with functional unit, solid lever chrome plated metal, cover plate chrome plated plastic, ceramic cartridge K-41 with hot water safety device, flow rate 25 l/min at 3 bar, functional unit made of dezincification resistant brass,
 noise level DIN 4109 noise group I, PA-IX 18967/IDC
 dimensions: diameter cover plate: 171 mm, lever projection: 90 mm, projection: 80 mm
 Suitable for pre-installation set KLUDI FLEXX.BOXX DN 20 item no. 88011, not included.

Dimensional drawing



Flow rate diagram

