

Product: KLUDI OBJEKTA multi single lever sink mixer
DN 15

Ref.: 325760575

Product description

multi single lever sink mixer DN 15
single hole mounted
solid lever
ceramic cartridge with hot water safety device
aerator M 24 x 1
flow rate 13,3 l/min at 3 bar
swivelling spout (360°)
separate connection 3/4 inch
for washing machine or dishwasher
flexible high pressure supply tubes 3/8 inch
rapid installation set

Finishes:
05 chrome

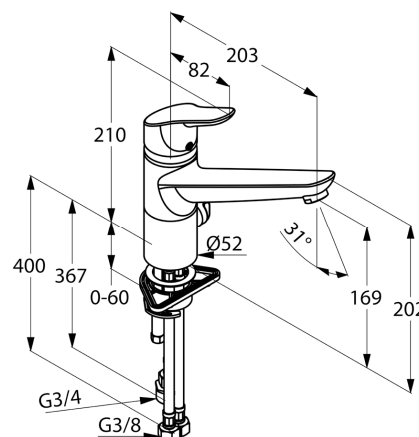
Product picture



Advertisement

multi single lever sink mixer, manufacturer KLUDI GmbH & Co. KG
KLUDI OBJEKTA item no. 325760575
type: multi single lever sink mixer, DN 15 / PN 10 with swivel spout (360°), chrome plated brass, solid lever chrome plated metal, ceramic cartridge K-35 with hot water safety device, aerator M 24 x 1, flow rate 13,3 l/min at 3 bar, with separate connection for washing machine or dishwasher 3/4 inch, flexible high pressure supply tubes 3/8 inch with DVGW / W270 approval, rapid installation set
dimensions: height: 210 mm, nozzle height: 169 mm, projection: 203 mm, lever projection: 82 mm

Dimensional drawing



Flow rate diagram

