

Product: **KLUDI OBJEKTA single lever sink mixer DN 15**

Ref.: **325740575**

**Product description**

single lever sink mixer DN 15  
 single hole mounted  
 solid lever  
 ceramic cartridge with hot water safety device  
 aerator M 24 x 1  
 flow rate 13,3 l/min at 3 bar  
 swivelling spout (360°)  
 flexible high pressure supply tubes 3/8 inch  
 rapid installation set

Finishes:  
 05 chrome

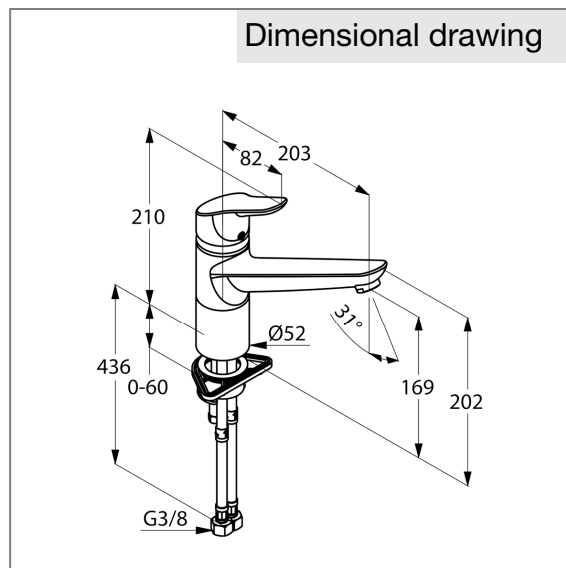
**Product picture**



**Advertisement**

single lever sink mixer, manufacturer KLUDI GmbH & Co. KG  
 KLUDI OBJEKTA item no. 325740575  
 type: single lever sink mixer, DN 15 / PN 10 with swivel spout (360°), chrome plated brass, solid lever chrome plated metal, ceramic cartridge K-35 with hot water safety device, aerator M 24 x 1, flow rate 13,3 l/min at 3 bar, flexible high pressure supply tubes 3/8 inch with DVGW / W270 approval, rapid installation set  
 dimensions: height: 210 mm, nozzle height: 169 mm, projection: 203 mm, lever projection: 82 mm

**Dimensional drawing**



**Flow rate diagram**

