

Product: KLUDI AMBA three position diverter, pre- installation DN 15

Ref.: 29757

Product description

three position diverter DN 15
 pre-installation set
 in-wall installation
 flow rate 36 l/min at 3 bar
 diverter:
 3 connectors G 1/2 inch outlets
 1 connector G 1/2 inch supply connection
 protection sleeve

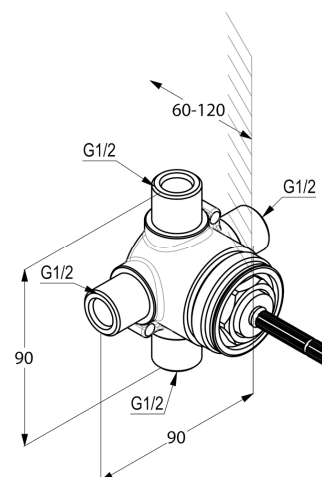
Advertisement

three position diverter, manufacturer KLUDI GmbH & Co. KG
 KLUDI AMBA item no. 29757
 type: three position diverter, concealed valve DN 15 / PN 10, pre-installation set,
 material brass, flow rate 36 l/min at 3 bar, connection: once 1/2 inch supply connection,
 three time 1/2 inch outlet connection, with protection sleeve
 dimensions: height: 90 mm, width: 90 mm, installation depth: 60 - 120 mm

Product picture



Dimensional drawing



Flow rate diagram

