

Product: **KLUDI drench shower DN 15**

Ref.: **2843605**

**Product description**

drench shower DN 15  
 Ø 150 mm  
 with ball joint G 1/2  
 without shower arm  
 noise group I

Finishes:  
 05 chrome

**Product picture**

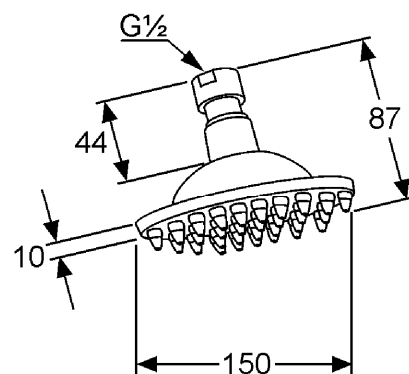


**Advertisement**

- \* KLUDI GmbH & Co KG KLUDI drench shower item no. 2843605
- \*\* chrome plated brass, DIN EN 248 / DIN 50930-6

drench shower DN 15, manufacturer KLUDI GmbH & Co KG KLUDI drench shower item no. 2843605, DN 15, chrome plated brass, noise level DIN 4109 group I, without report no., free flow at 3 bar running pressure ~ 0,7 l/s – min. for a acceptable spray pattern you need minimum a flow rate at 3 bar ~ 18 l/min, diameter drench shower Ø 150 mm, with ball joint, female connection 1/2 inch, without shower arm, with shower rain, PN 5,

**Dimensional drawing**



**Flow rate diagram**

