

**Product:** KLUDI ROTEXA MULTI bath filling, waste and overflow set G 1 1/2

**Ref.:** 2131500-00

**Product description**

KLUDI ROTEXA MULTI bath filling, waste and overflow set G 1 1/2  
 concealed parts (rough in)  
 mixed water connection DN 15  
 incl. rinsing set  
 with fixed siphon trap  
 two ball-joints  
 50 mm water seal height  
 noise level I, without trim set  
 for trim sets: 71820 / 70855 / 71826 / 70856  
 approved acc. to DIN EN 274  
 type tested and monitored  
 LGA-CERTIFICATE No. 5371088

**Advertisement**

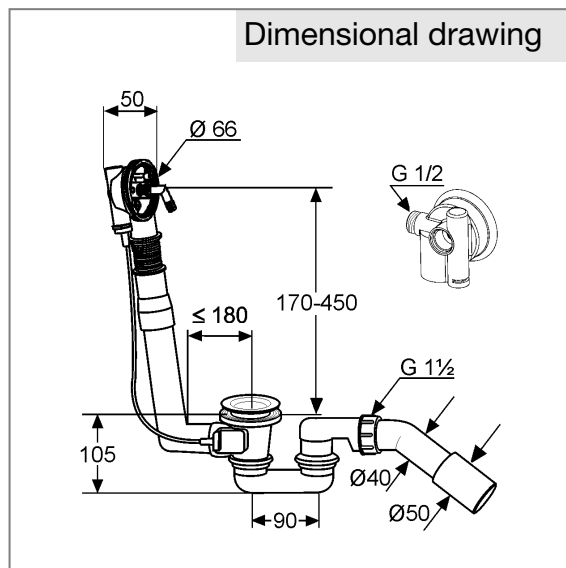
- \* KLUDI GmbH & Co KG KLUDI ROTEXA MULTI bath filling, waste and overflow set item no. 2131500-00
- \*\* white plastic // without trim set item no. 7182005-00 or 7085505-00 or 7182605-00 or 7085605-00
- \*\*\* DIN EN 274

bath filling waste and overflow set, manufacturer KLUDI GmbH & Co KG KLUDI ROTEXA MULTI bath filling, waste and overflow set item no. 2131500-00, 1 1/2 inch, white plastic, type: bath filling waste and overflow set G 1 1/2, water supply over connector 1/2 inch / DN 15 incl. rinsing set, two ball joints, 50 mm water seal height, tested acc. DIN EN 274, with bowden cable, overflow connector DN 40 / 50, sieve stainless steel, type test LGA Bayern, white plastic, for outlet connection  $\leq 180$  mm, for overflow connection 170 - 450, overall height siphon 105 mm, for course hole 52 mm, waste flow in accordance to DIN EN 274 = H1 = 275 mm ~ 54 l/min,

Product picture



Dimensional drawing



Flow rate diagram

flow rate reg.  
 DIN EN 274  
 H1 = 275 mm  
 ~ 54,0 l/min

