

Product: KLUDI ROTEXA 2000 waste and overflow set
G 1 1/2

Ref.: 2104000-00

Product description

waste and overflow set G 1 1/2
concealed parts (rough in)
with Bowden cable for bathtubs and deep
showertubs
with fixed siphon trap
two ball-joints
50 mm water seal height
approved in acc. to
DIN EN 274 by LGA Germany

Advertisement

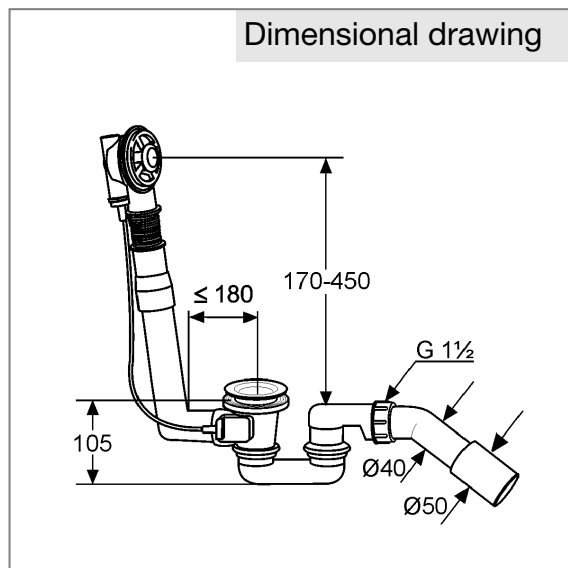
- * KLUDI GmbH & Co KG KLUDI ROTEXA 2000 waste and overflow set
G 1 1/2 item no. 2104000-00
- ** white plastic
- *** in acc. to DIN EN 274

waste and overflow set KLUDI GmbH & Co KG KLUDI ROTEXA 2000 waste and overflow set item no. 2104000-00, plastic, concealed set 1 1/2 inch, for bathtubs and deep showertubs, with fixed siphon trap with two ball joints, 50 mm water seal height, with bowden cable, in accordance to DIN EN 274, type test LGA Germany, for outlet connection ≤ 180 mm, for overflow connection 170 - 450 mm, overall height siphon 105 mm, with connecting branch DN 40 / 50, valve sieve stainless steel, without trim set, for course hole 52 mm, waste flow H1 = 275 mm = 54 L/min

Product picture



Dimensional drawing



Flow rate diagram

flow rate reg.
DIN EN 274
H1 = 275 mm ~ 54 l/min

