

**Product:** KLUDI angle valve G 1/2" x G 3/8" x Ø 10 mm

**Ref.:** 1584605-00

**Product description**

angle valve G 1/2 x G 3/8 x Ø 10 mm  
 Cylindrical handle  
 wall fastening  
 flow rate 23 l/min. at 3 bar  
 classic-headpart  
 marked: neutral  
 cover plate Ø 50 mm

Finishes:  
 05 chrome

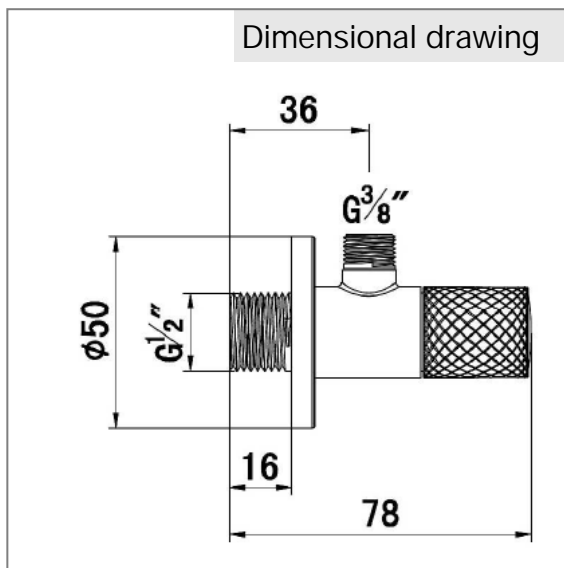
Product picture



**Advertisement**

angle valve, manufacturer KLUDI GmbH & Co KG KLUDI angle valve item no. 1584605-00, DN 15, chrome plated brass, connection thread = male 1/2 inch, for connection with 3/8 inch thread joints, cylindrical handle, cover plate, cover plate Ø 50 mm, projection 78 mm, flow rate 23l/min. at 3 bar, classic headpart, for pressure type water heater, for continuous line heater, PN 10,

Dimensional drawing



Flow rate diagram

