

Product: **KLUDI angle valve DN 15**

Ref.: **1584405-00**

**Product description**

angle valve DN 15  
 wall fastening  
 male thread G 1/2 x G 1/2  
 Cylindrical handle  
 classic-headpart  
 marked: neutral  
 cover plate Ø 50 mm

Finishes:  
 05 chrome

**Product picture**

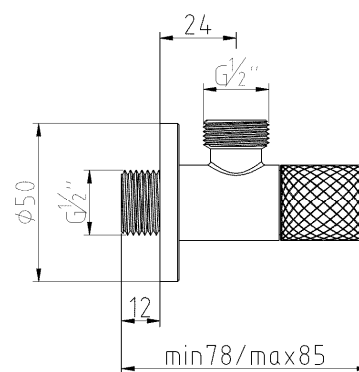


**Advertisement**

- \* KLUDI GmbH & Co KG KLUDI angle valve item no. 1584405-00
- \*\* classic headpart, DIN EN 200
- \*\*\* cylindrical handle, brass DIN EN 50930-6

angle valve, manufacturer KLUDI GmbH & Co KG KLUDI angle valve item no. 1584405-00, DN 15, chrome plated brass, connection male thread 1/2 inch, for male connection with 1/2 inch thread joints or flexible hoses, cylindrical handle, cover plate, cover plate 50 mm, projection 78 mm, flow class B (max 0,45 l/s), noise level DIN EN 4109 group I, without report no., with classic headpart 1/2 inch, for pressure type water heater, for continuous line heater, PN 10,

**Dimensional drawing**



**Flow rate diagram**

