

Product: **KLUDI STANDARD bath filler DN 20**

Ref.: **1350205**

Product description

bath filler DN 20
 wall fastening
 flow class B
 aerator M 28 x I
 projection 150 mm
 with sliding cover plate
 female connection 3/4
 noise group I

Advertisement

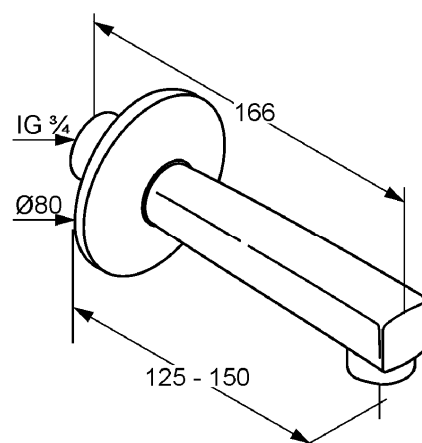
* KLUDI GmbH & Co KG KLUDI STANDARD bath filler item no. 1350205
 ** chrome plated brass, DIN 50930-6
 *** DIN EN 200

bath filler DN 20, manufacturer KLUDI GmbH & Co KG KLUDI STANDARD bath filler item no. 1350205, DN 15, chrome plated brass, without connection nipple 3/4 inch, noise level DIN EN 4109 group I, without report no., flow class B (max. 0,42 l/s), female connection 3/4 inch, aerator M 28 x I B, nozzle projection 125 - 150 mm, bath filler, with sliding cover plate, for pressure type water heater, for continuous line heater, PN 10,

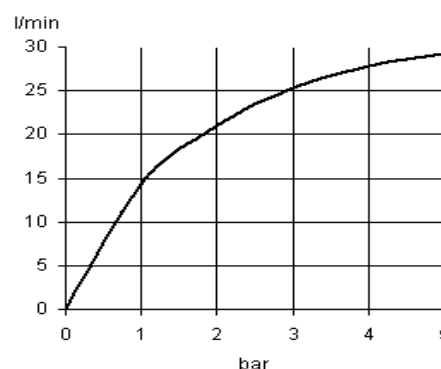
Product picture



Dimensional drawing



Flow rate diagram



Durchflussklasse B
 flow class B