

Product: **KLUDI bidet bottle trap 1 1/4 inch**

Ref.: **1032305-00**

Product description

bidet bottle trap
 1 1/4 inch x Ø 32 mm
 with outlet bend 32 x 290 mm
 with wall flange (escutcheon)
 in acc. to DIN EN 274

Finishes:
 05 chrome

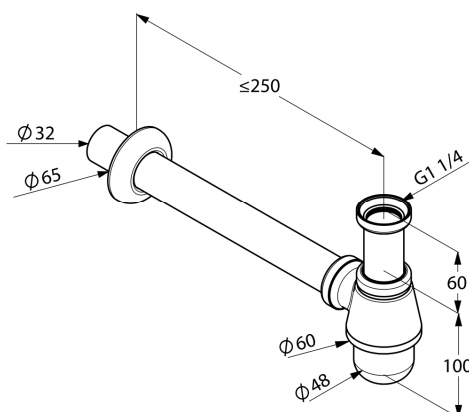
Product picture



Advertisement

bidet bottle trap, manufacturer KLUDI GmbH & Co. KG
 KLUDI bidet bottle trap item no. 1032305-00
 type: bidet bottle trap 1 1/4 inch x DN 32, chromed brass, with chromed collar diameter in mm 65, for installation with bidet with outlet pipe DN 32, in accord. to DIN EN 274

Dimensional drawing



Flow rate diagram

waste flow rate in accordance
 to DIN EN 274 ~ 36,0 l/min