

**Product:** Ideal P-Trap G 1 1/4" x 32 mm

**Ref.:** 1026505-00

**Product description**

P-Trap G 1 1/4"  
 G 1 1/4" x 32 mm  
 adjustable drain pipe up to 120 mm  
 with outlet bend 32 x 220 mm  
 with wall flange (escutcheon)

Finishes:  
 05 chrome plated

**Advertisement**

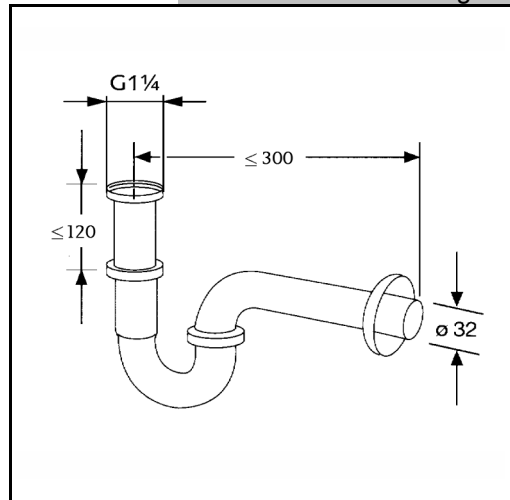
- \* KLUDI RAK LLC item no. 1026505-00
- \*\* chrome plated brass, ..EN 50930-6
- \*\*\* in accordance to .. EN 274

P - Trap G 1 1/4, manufacturer KLUDI RAK LLC item no. 1026505-00, chrome plated brass, rosette chrome plated diameter 65 mm, for wash basin, with outlet bend DN 32 x 220 mm, in acc. to DIN EN 19 545 / DIN EN 274, adjustable drain pipe up to 20 - 120 mm, for wall connection ≤ 300 mm,

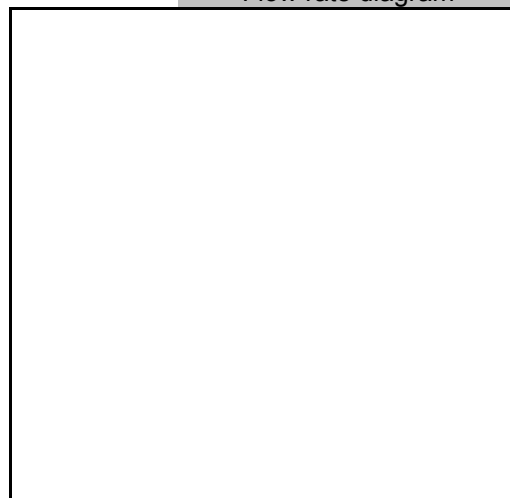
Product picture



Dimensional drawing



Flow rate diagram



**KLUDI**  


---

  
**RAK**