

**Product:** KLUDI bottle trap G 1 1/4"

**Ref.:** 1010505-00

**Product description**

bottle trap G 1 1/4"  
 G 1 1/4 x Ø 32 mm  
 with outlet tube Ø 32 x 200 mm  
 with wall flange (escutcheon) Ø 65 mm  
 according to DIN EN 274

Finishes:  
 05 chrome

**Product picture**

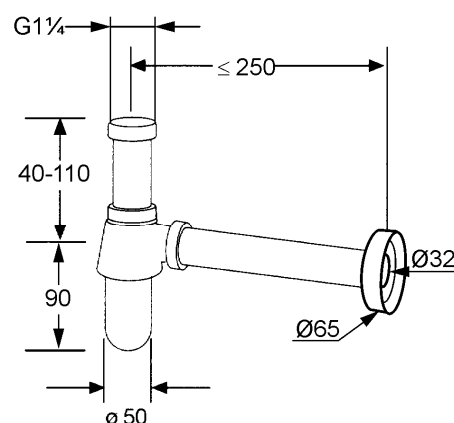


**Advertisement**

- \* KLUDI GmbH & Co KG KLUDI bottle trap G 1 1/4" item no. 1010505-00
- \*\* chrome plated brass
- \*\*\* DIN EN 274

bottle trap 1 1/4 inch, manufacturer KLUDI GmbH & Co KG KLUDI bottle trap item no. 1010505-00, finishes: chrome plated brass, rosette chrome plated diameter Ø 65 mm, for wash basin in accordance to DIN EN 32, in acc. to DIN EN 274 (19545), with outlet tube Ø 32 mm x 200 mm, adjustable drain pipe 40 - 110 mm, diameter siphon 50 mm, for wall connection ≤ 250 mm, waste flow rate in accordance to EN 274 ~ 36 l/min,

**Dimensional drawing**



**Flow rate diagram**

**waste flow rate in  
 accordance to  
 DIN EN 274  
 36,0 l/min**